

COMPACT PREWIRED LIMIT SWITCHES

E47BCC Series

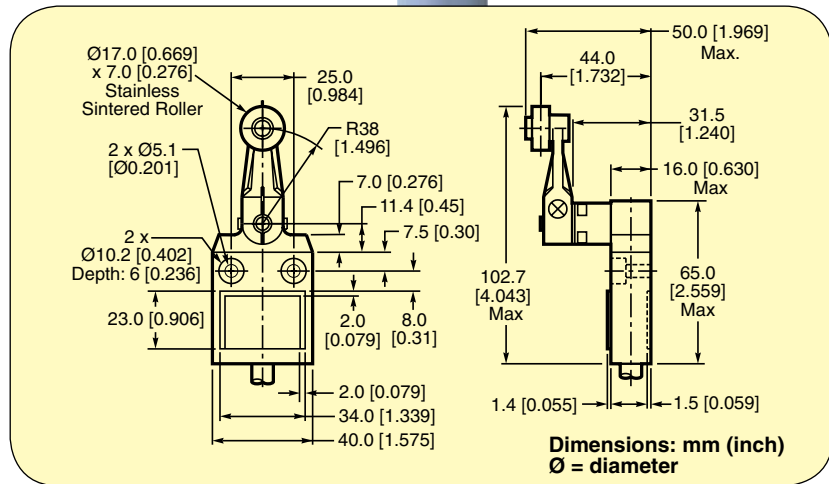


- Rugged Aluminum Alloy Die Cast Housing
- Sealed Construction With Enclosure Ratings of NEMA 4, 6 and 13
- Prewired With 3 m of 18 AWG, AWM 2517, 300V Cable
- Stackable Ridge for Ganged Operation

The E47 Compact Prewired Limit Switch is designed to be a versatile, slim device for hard to fit applications where sealing integrity is required. The rugged die cast aluminum alloy housing, cable connection and switch mechanism are encapsulated for protection against extreme temperature (-10 to 70°C), contaminants, moisture, shock and vibration. This factory wired (3 m) device has NEMA enclosure ratings of 4, 6 and 13, making it suitable for applications such as machine tool, food processing and packaging.

SPECIFICATIONS

- Contacts:** 1-SPDT (Form C)
- Mechanical Life:** 10,000,000 operations
- Electrical Life:** 200,000 operations, 30 operation/min at rated load
- Operating Speed:** 30 operations per minute maximum
- Operating Temperature Range:** 10 to 70°C (14 to 158°F)
- Storage Temperature Range:** 10 to 70°C (14 to 158°F)
- Humidity:** 95% max non-condensing
- Vibration:** Malfunction durability, 10 to 55 Hz 1.5 mm double amplitude
- Shock:** Malfunction durability, approximately 50 g
- Enclosure Ratings:** NEMA 4, 6 and 13; IEC IP67



SPECIFICATIONS — MAXIMUM AMPERE RATING

VOLTAGE	NON-INDUCTIVE LOAD (A)		INDUCTIVE LOAD (A)				INRUSH CURRENT (A)	
	RESISTIVE		INDUCTIVE		MOTOR		N C	N O
	N C	N O	N C	N O	N C	N O		
125 Vac	5.0	5.0	3.0	3.0	2.5	1.3	20 max	10 max
250 Vac	5.0	5.0	2.0	2.0	1.5	0.8		
8 Vdc	5.0	5.0	5.0	4.0	1.5	1.5		
14 Vdc	5.0	5.0	4.0	4.0	1.5	1.5		
30 Vdc	4.0	4.0	3.0	3.0	1.5	1.5		
125 Vdc	0.4	0.4	0.4	0.4	0.05	0.05		
250 Vdc	0.2	0.2	0.2	0.2	0.03	0.03		

NOTE: Inductive load ratings are tested at a power factor 0.4 min for AC power and a time constant of 7 mS max for DC power. Inrush current for motor load is 6 times the steady state current.

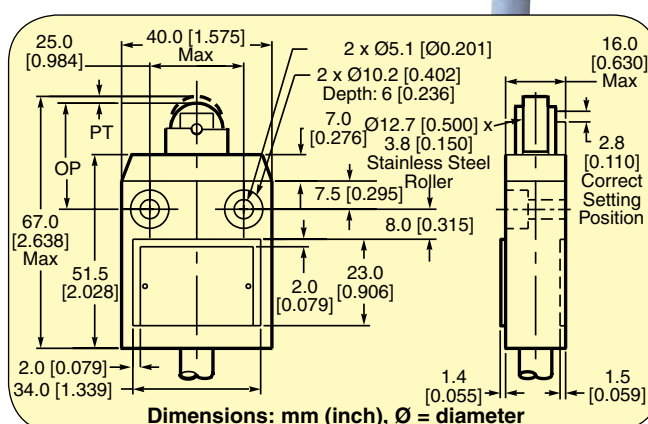
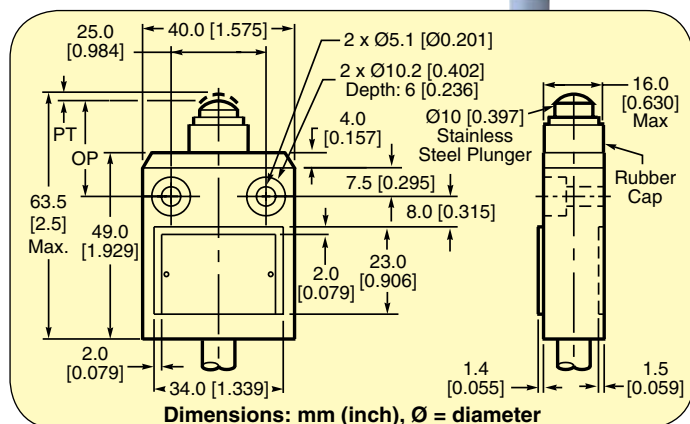
MODEL NO.	ACTUATOR TYPE	OPERATING FORCE (MAXIMUM)	RESET FORCE (MINIMUM)	OVERTRAVEL (MINIMUM)	PRETRAVEL	MOVEMENT DIFFERENTIAL	OPERATING POSITION
E47BCC06	Sealed Plunger	1.8 kg (63.5 oz)	450 g (15.9 oz)	3 mm (0.118")	1.8 mm (0.07")	0.2 mm (0.008")	24.9 ± 1 mm (0.99 ± 0.04")
E47BCC07	Roller Plunger	1.2 kg (42.3 oz)	450 g (15.9 oz)	3 mm (0.118")	1.8 mm (0.07")	0.2 mm (0.008")	28.5 ± 1 mm (1.12 ± 0.04")
E47BCC15	Roller Lever	580 g (20.5 oz)	150 g (5.3 oz)	40°	25° max	3°	—



E47BCC06



E47BCC07



To Order

MODEL NO.	DESCRIPTION
E47BCC06	Pre-assembled, prewired, 1 NO/1 NC, sealed plunger
E47BCC07	Pre-assembled, prewired, 1 NO/1 NC, roller plunger
E47BCC15	Pre-assembled, prewired, 1 NO/1 NC, side-rotary lever

Comes complete with instruction sheet.

Ordering Example: E47BCC06, prewired, normally open/normally closed, sealed plunger limit switch.