

# NORGREN EXCELON® OIL REMOVING (ABSORBING) FILTERS

## F72V-2AN-ELC Series



- In-Line or Modular Installation
- Absorbing Type Activated Carbon Element Removes Oil Vapors and Most Hydrocarbon Odors
- Quick Release Bayonet Bowl
- Long Service Life of Filter Element
- Modular Installations with Excelon 72 and 74 Series Can be Made to Suit Particular Applications



F72V-2AN-ELC,  
shown smaller  
than actual size.



F74V-4AN-EMA,  
shown smaller  
than actual size.

### SPECIFICATIONS

**Fluid:** Compressed air

**Operating Pressure:**

**Transparent Bowl:** 10 bar (150 psig)

**Metal Bowl:** 17 bar (250 psig)

**Operating Temperature\*:**

**Transparent Bowl:** -20 to 50°C  
(0 to 125°F)

**Metal Bowl:** -20 to 65°C  
(0 to 150°F)

**Air Quality:** Within ISO 8573-1, class 1 \*\* (oil content) when installed downstream of an oil removal filter.

**Maximum Remaining Oil Content in Outlet Air:** 0.003 ppm at 20°C (70°F)

**Materials (F72V Models)**

**Body:** Zinc

**Transparent Bowl:** Polycarbonate

**Guard for Transparent Bowl:** Zinc

**Metal Bowl:** Zinc

**Element:** Activated carbon and polycarbonate

**Elastomers:** Nitrile

**Materials (F74V Models)**

**Body:** Aluminum

**Transparent Bowl:** Polycarbonate with steel bowl guard

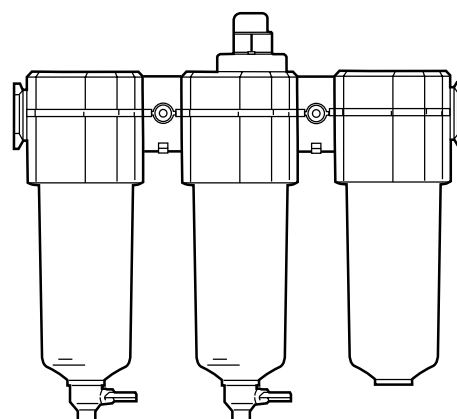
**Metal Bowl:** Aluminum

**Element:** Activated carbon and aluminum

**Elastomers:** Neoprene and nitrile

\*Air supply must be dry enough to avoid ice formation at temperatures below °C (35°F)

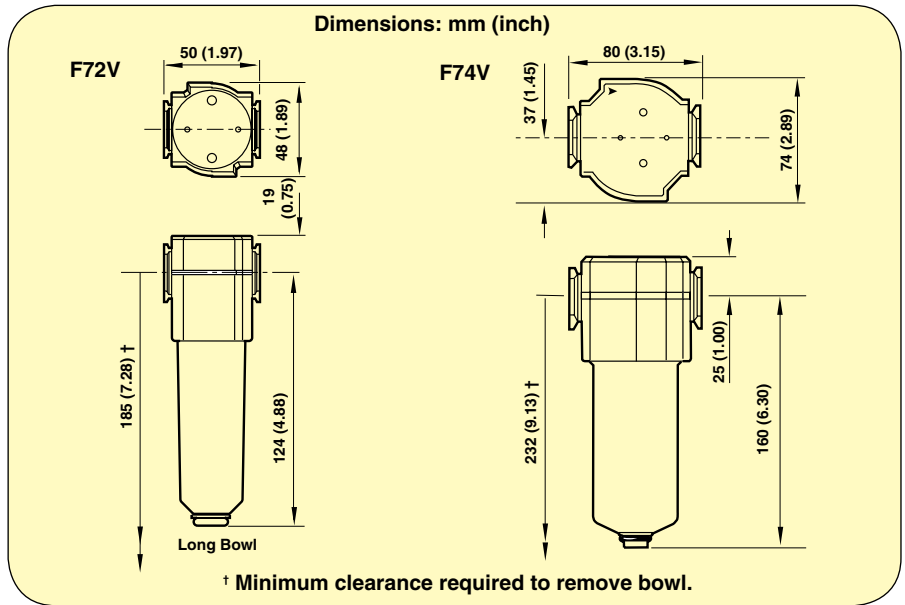
**Note:** Oil vapor removal filters must be protected upstream by an oil removal filter



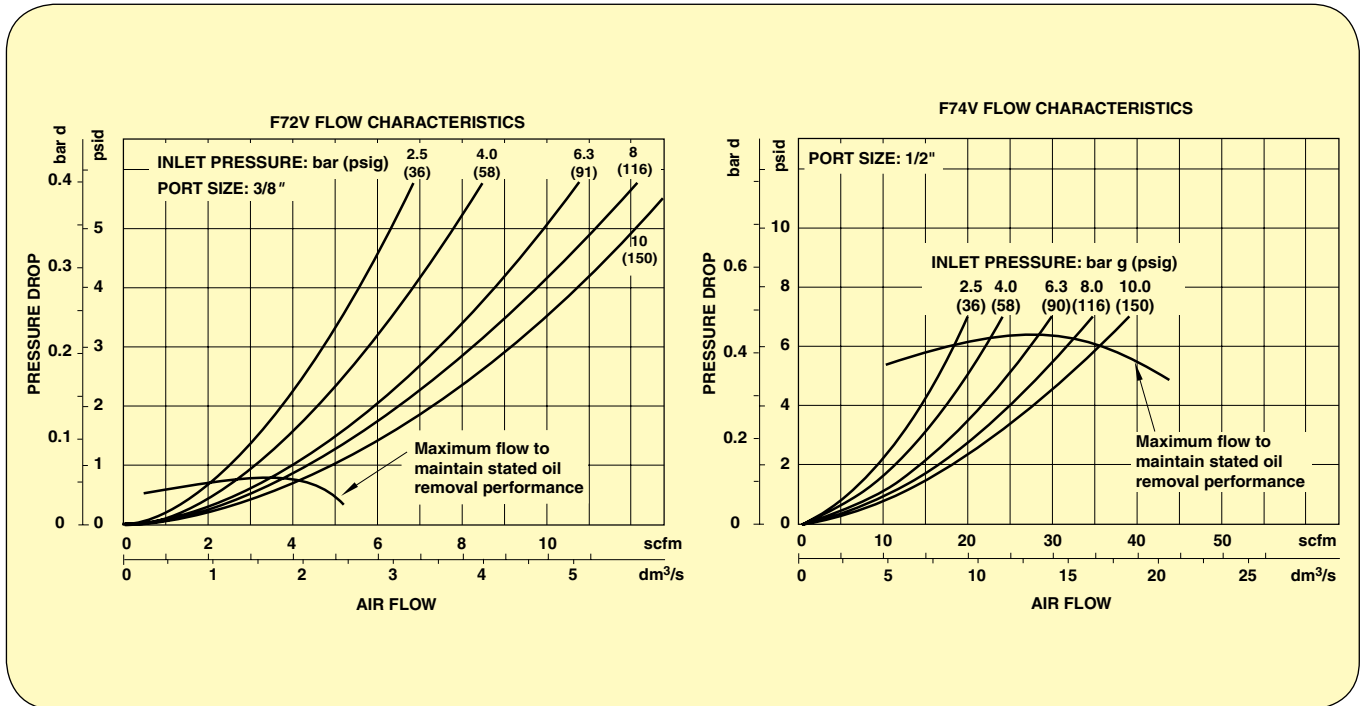
General  
purpose filter

Oil  
removal filter

Oil vapor  
removal filter



**TYPICAL PERFORMANCE CHARACTERISTICS**



To Order			
MODEL NO.	PORT SIZE (inch)	FLOW† SCFM (DM3/S)	WEIGHT kg (lb)
F72V-2AN-ELC	¼	3.4 (1.6)	0.40 (0.88)
F74V-4AN-EMA	½	21 (10)	1.14 (2.51)
F74V-6AN-EMA	¾	21 (10)	1.12 (2.46)

**Notes:** Models listed include PTF threads, service indicator, automatic drain and a metal bowl with liquid level indicator.  
 † Maximum flow with 6.3 bar (90 psig) inlet pressure to maintain stated oil removal performance.