

2-WAY AIR OPERATED ANGLE SEAT VALVES

FSV2100 Series



- ✓ Ideal for All Neutral and Some Aggressive Fluids
- ✓ Optical Position Indication Standard
- ✓ Cost-Effective High Cycle Life
- ✓ 316L SS Body, PTFE Seal
- ✓ Floating Seal and Self-Aligning Gland
- ✓ For Water, Steam, Compressed Air, Natural Gas, Oil, and Vacuum Service
- ✓ Normally Closed Valve

APPLICATIONS

- ✓ Air Drying Equipment
- ✓ Industrial Compressors
- ✓ Sterilizers
- ✓ Pollution Control Equipment
- ✓ Autoclaves
- ✓ Bottling, CIP, and Laundry Equipment
- ✓ Textile Dyeing and Drying

The robust construction and 316L SS body and seat of the FSV2100 Series air-operated angle seat valves make them suitable for a wide range of industrial applications. They can be used with many fluids, including steam, select liquids and gases, vacuum, as well as in applications demanding such high

purity that no contamination can be tolerated. The valve stem has a self-aligning gland, which, with the floating seal, ensures maximum integrity. PTFE seal material is standard for maximum fluid compatibility.



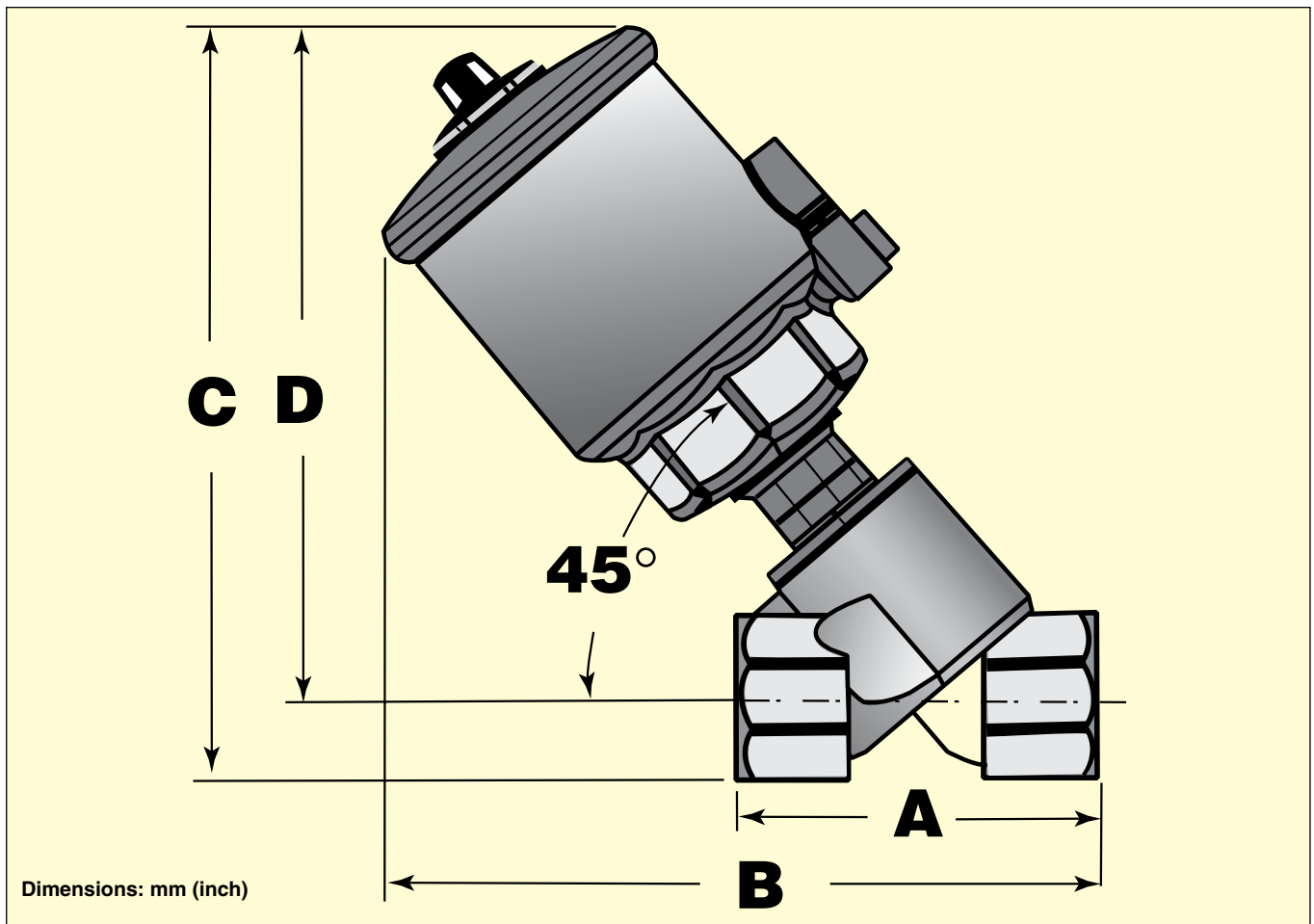
FSV2101 shown larger than actual size.



FSV210PV solenoid pilot valve, shown smaller than actual size.

SPECIFICATIONS

Media Temperature:
-10 to 180°C (14 to 356°F)
Body Material:
Stainless steel AISI 316L
Seal Material: PTFE
Pilot Media: Air, inert gases, water, maximum 60°C (140°F)



Port	Actuator Dia.	A	B	C	D	Weight: kg (lb)
1/2"	63 (2.48)	65 (2.56)	192 (7.56)	184 (7.25)	171 (6.73)	1.4 (3.1)
3/4"	63 (2.48)	75 (2.95)	198 (7.80)	192 (7.56)	176 (6.93)	1.5 (3.3)
1"	63 (2.48)	90 (3.54)	212 (8.35)	205 (8.07)	185 (7.28)	1.9 (4.2)
1 1/4"	63 (2.48)	110 (4.33)	225 (8.86)	217 (8.54)	183 (7.60)	2.3 (5.1)
1 1/2"	63 (2.48)	120 (4.73)	239 (9.41)	225 (8.86)	198 (7.80)	3.0 (6.6)
2"	63 (2.48)	150 (5.91)	248 (9.76)	241 (9.49)	207 (8.15)	3.7 (8.2)

To Order						
Model No.	Port Connection	Nominal Diameter mm (inch)	Flow Rate Cv	Pressure Range		
				Minimum (torr)	Maximum (psi)	
FSV2101	1/2"	15 (0.59)	4.9	1.5 x 10 ⁻⁴	240*	
FSV2102	3/4"	20 (0.79)	9.1	1.5 x 10 ⁻⁴	240*	
FSV2103	1"	25 (0.98)	18.0	1.5 x 10 ⁻⁴	240*	
FSV2104	1 1/4"	32 (1.26)	28.0	1.5 x 10 ⁻⁴	240*	
FSV2105	1 1/2"	40 (1.58)	49.0	1.5 x 10 ⁻⁴	150	
FSV2106	2"	50 (1.97)	60.1	1.5 x 10 ⁻⁴	95	

* Maximum pressure with steam is limited to 150 psig.

Accessories

Model No.	Description
FSV210PV	Solenoid pilot valve for mounting onto FSV2100 Series valves, 0 to 150 psig source; manual override standard, 120 Vac, 10 VA

Comes complete with operator's manual

To order with normally open operation, add suffix "-NO" to model number, for additional cost.

Ordering Examples: FSV2101, 1/2" angle seat valve, FSV210PV, solenoid valve for integral mounting.

FSV2102, 3/4" angle seat valve, FSV210PV, solenoid valve for integral mounting.