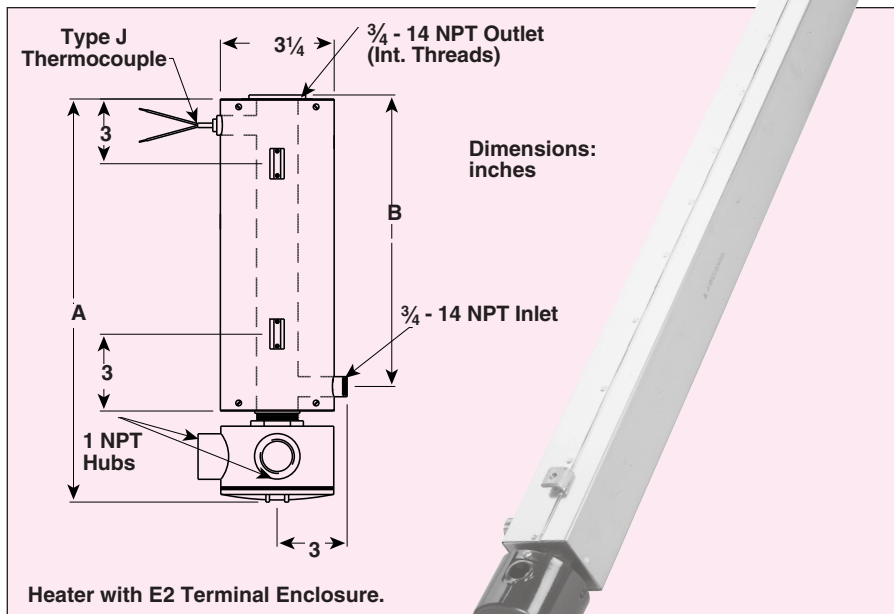


SMALL CAPACITY/LOW FLOW GAS APPLICATIONS

GHCIS Series
Starts at
\$2400

- ✓ Cartridge Heater Design
- ✓ Stainless Steel Pipe Body
- ✓ 0.5 to 3 kW
- ✓ 120 and 240V, Single Phase
- ✓ INCOLOY® Sheath Elements (37 W/in²)
- ✓ General Purpose or Moisture Resistant/Explosion Resistant Terminal Enclosure
- ✓ Internal Overtemperature Protection (Type K T/C)
- ✓ Process Temperature Sensor in Outlet (Type J T/C)



**MOST POPULAR
ITEMS HIGHLIGHTED**

APPLICATIONS

Gas: Designed to efficiently heat gases, particularly at low-flow rates and relatively high temperatures. (Outlet temperatures to 600°F.)

FEATURES

Terminal Enclosure: Available with E1 General Purpose or E2 Moisture Resistant/Explosion Resistant.

Cartridge Heater Element: INCOLOY sheath and spiral wound baffle for efficient heat transfer.

Vessel: Stainless Steel (304) construction of all wetted parts.

Thermal Insulation: High temperature pipe insulation inside protective outer jacket.

Process Control: Accurate process control using a Type J thermocouple located in the heater outlet.

High Limit Sensor: Integral overtemperature protection using a Type K thermocouple located inside the cartridge heating element sheath.

Installation: Compact rugged design permits easy installation.

To Order (Specify Model Number)

kW	Volts	Ckt & Phase	Dimensions (In.)		Model No.	Price	Wt. (lb)
			A	B			
1 inch, 304 stainless steel pipe body — 1 INCOLOY cartridge element (37 W/in ²) E1 terminal enclosure							
0.5	120	1-1	14	8	GHCIS-01-0P50-E1/120	\$2750	3
0.5	240	1-1	14	8	GHCIS-01-0P50-E1/240	2750	3
1	120	1-1	20	14	GHCIS-01-001P-E1/120	2400	3
1	240	1-1	20	14	GHCIS-01-001P-E1/240	2400	3
2	120	1-1	32	26	GHCIS-01-002P-E1/120	3575	4
2	240	1-1	32	26	GHCIS-01-002P-E1/240	3575	4
3	240	1-1	44	38	GHCIS-01-003P-E1/240	4250	4

- Order electronic controls separately for remote mounting. Consult controls section for details.
- Special voltage and wattage ratings available.

Ordering Example: *GHCIS-01-001P-E1/120, 1 kW, 120V heater, \$2400.*

Ordering Information

To Order — Complete the Model Number using the Matrix provided.

Model	Small Capacity/Low Flow Gas			
GCH	Gas Circulation Heater			
C	Cartridge Element			
IS	INCOLOY Sheath — Stainless Steel Vessel			
Code	Number of Elements			
01	One			
Code	Watts			
OP50	500	002P	2,000	
001P	1,000	003P	3,000	
Code	Terminal Enclosure			
E1	General Purpose			
E2	Moisture Resistant/Explosion Resistant			
GHCIS	01	OP50	E1	Typical Model Number