

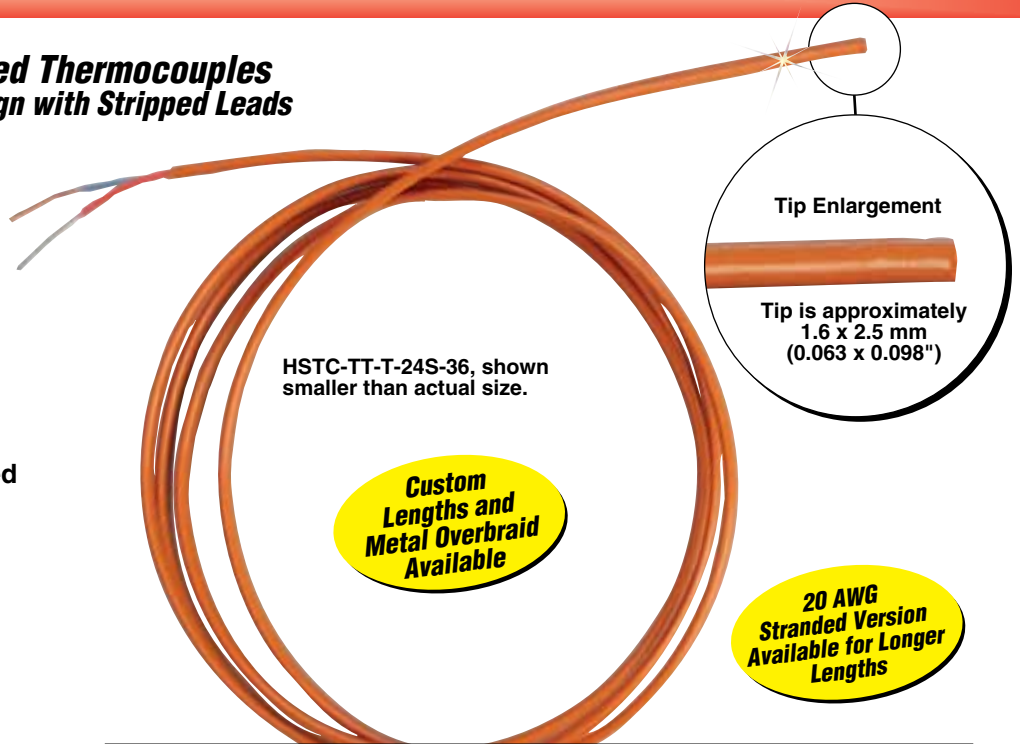
## Ready-Made PFA Insulated Thermocouples Hermetically Sealed Tip Design with Stripped Leads

### HSTC Series



- ✓ Seal-Welded Tip
- ✓ Highly Resilient to Chemicals and Oils
- ✓ Electrically-Insulated Junction
- ✓ Easily Cleaned and Sterilized
- ✓ Small Size Provides a Fast Response
- ✓ Rated to 250°C (482°F)
- ✓ 24 AWG Stranded Thermocouple Grade Wire Standard, 20 AWG Stranded Available for Longer Lengths

These PFA insulated thermocouple wire sensors are hermetically seal-welded at the sensor tip to provide continuous PFA protection over the measurement junction. This unique design provides a small, flexible, and electrically isolated thermocouple, suited to a variety of applications.



Tip Enlargement

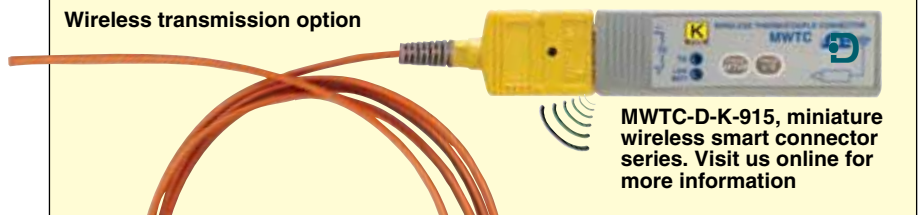
Tip is approximately  
1.6 x 2.5 mm  
(0.063 x 0.098")

HSTC-TT-T-24S-36, shown smaller than actual size.

Custom Lengths and Metal Overbraid Available

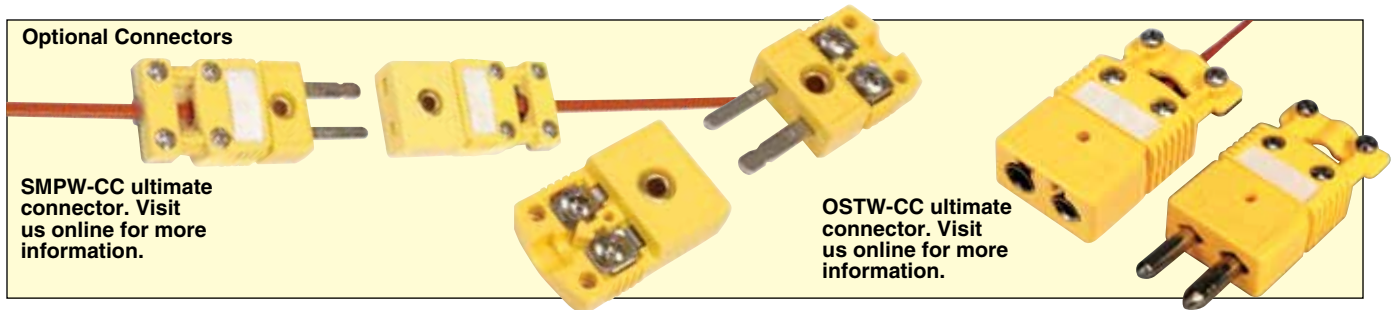
20 AWG Stranded Version Available for Longer Lengths

Wireless transmission option



MWTC-D-K-915, miniature wireless smart connector series. Visit us online for more information

Optional Connectors



SMPW-CC ultimate connector. Visit us online for more information.

OSTW-CC ultimate connector. Visit us online for more information.

## To Order

Model No.	Description
HSTC-TT-(*)-24S-36	Hermetically sealed tip thermocouple, 1 m (40"), stripped ends
HSTC-TT-(*)-24S-72	Hermetically sealed tip thermocouple, 2 m (80"), stripped ends
HSTC-TT-(*)-24S-120	Hermetically sealed tip thermocouple, 3 m (120"), stripped ends
HSTC-TT-(*)-24S-36-SMPW-CC	Hermetically sealed thermocouple, 1 m (40"), ultimate SMPW male with cable clamp
HSTC-TT-(*)-24S-72-SMPW-CC	Hermetically sealed thermocouple, 2 m (80"), ultimate SMPW male with cable clamp
HSTC-TT-(*)-24S-120-SMPW-CC	Hermetically sealed thermocouple, 3 m (120"), ultimate SMPW male with cable clamp

\* Insert calibration J, K, T, or E.

For additional cost 300 mm (12") of TT wire. To order thermocouple with full size connector, replace "SMPW" in the model number with "OSTW", no additional charge. To order 20 AWG stranded thermocouple for longer lengths, replace "24S" in the model with "20S" for additional cost.