

# BOTTOM MOUNTING PLATES FOR LC1001/LC1011 SERIES LOAD CELLS ALLOY STEEL OR 17-4 PH STAINLESS STEEL

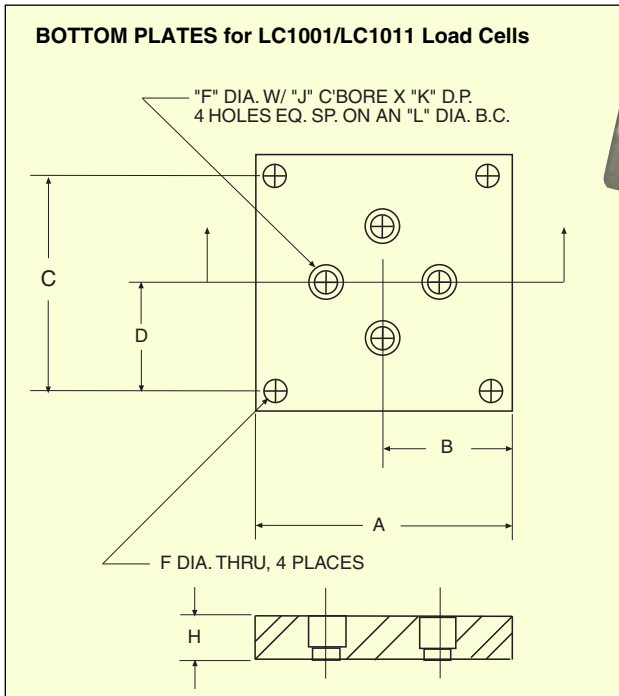
## LC1001/LC1011 Series Bottom Mounting Plates for Ranges 500 lb to 300,000 lb 227 kg to 136,116 kg

1 Newton = 0.2248 lb  
1 daNewton = 10 Newtons  
1 lb = 454 g  
1 t = 1000 kg = 2204 lb

Starts at  
**\$48**



LC1000-BP4,  
base plates, \$48, shown  
smaller than actual size.



LC1011-5K, \$895,  
load cell, shown smaller  
than actual size.

**MOST POPULAR MODELS HIGHLIGHTED!**

To Order (Specify Model Number)					Dimensions: mm (in)								
CAPACITY lb (kg)	PLATED STEEL	PRICE	STAINLESS STEEL	PRICE	A	B	C	D	F	H	J	K	L
500 to 50K (227 to 22,686)	LC1000-BP4	\$48	LC1000-BP4-SS	\$80	114 (4.50)	57 (2.25)	95 (3.75)	46 (1.88)	10 (0.41)	19 (0.750)	16 (0.625)	15 (0.59)	60 (2.38)
100K (45,372)	LC1000-BP6	68	LC1000-BP6-SS	140	152 (6.00)	76 (3.00)	121 (4.75)	60 (2.38)	13 (0.53)	25 (1.00)	20 (0.77)	18 (0.72)	102 (4.00)
200K (90,944)	LC1000-BP8	126	LC1000-BP8-SS	260	203 (8.00)	102 (4.00)	171 (6.75)	86 (3.38)	17 (0.66)	32 (1.25)	25 (1.00)	22 (0.88)	140 (5.50)
300K (136,116)	LC1000-BP9	146	N/A		229 (9.00)	114 (4.50)	191 (7.50)	95 (3.75)	20 (0.78)	38 (1.50)	30 (1.19)	27 (1.06)	140 (5.50)

**Ordering Examples:** LC1000-BP4-SS, stainless steel base plate for LC1001/LC1011 load cells, 500 to 50K lb range, \$80. LC1000-BP6, nickel-plated steel base plate for LC1001/LC1011 load cells, 100,000 lb range, \$68. LC1000-BP9, nickel-plated steel base plate for LC1001/LC1011 load cells, 300,000 lb range, \$146.

### ACCESSORY

MODEL NO.	PRICE	DESCRIPTION
ME-1810	\$50	Reference Book: Material and Design (Material Solution)

