

# AMPLIFIED VOLTAGE OUTPUT BEAM-TYPE LOAD CELLS

**Compression**  
0-5 lb to 0-100 lb  
2.3 kgf to 45 kgf

1 Newton = 0.2248 lb  
1 daNewton = 10 Newtons  
1 lb = 454 g  
1 t = 1000 kgf = 2204 lb



LC509-005 shown smaller than actual size.

## LC509 Series



- ✓ Lightweight Aluminum Construction
- ✓ High 0.25% Accuracy
- ✓ 0.5 to 9.5 Vdc Output
- ✓ Heavy-Duty Construction for Weighing Applications
- ✓ Built-In Overload Stop

The unique LC509 Series beam type load cells combine high accuracy with an internal amplifier that gives a high-level DC voltage output. Applications include industrial weighing and automated batching operations in which the interfacing controller requires an amplified voltage input. Built-in overload stops and a rugged design make the LC509 a highly reliable transducer for industry. In addition, users can have high tare offsets built in for their OEM applications.

### SPECIFICATIONS

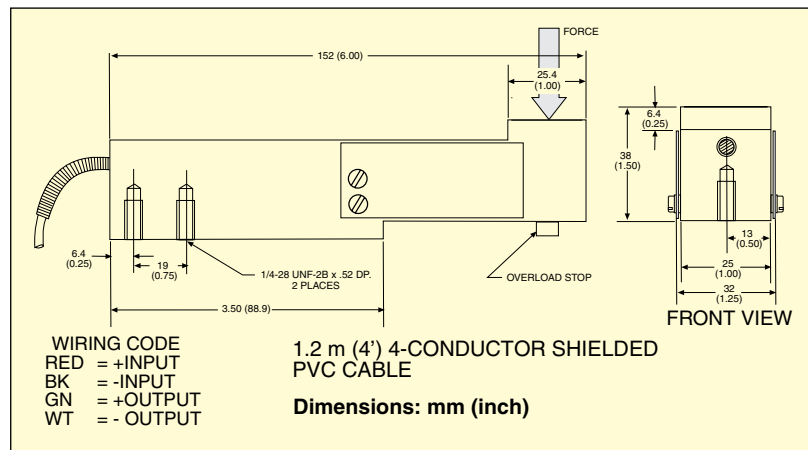
**Output:** 0.5 to 9.5 Vdc

**Excitation:** 24 Vdc  $\pm$ 4 Vdc

**Accuracy Class:** 0.25% FSO; includes linearity, hysteresis, repeatability and zero balance combined

**Operating Temp Range:** -48 to 60°C (-55 to 140°F)

**Compensated Temp Range:** 0 to 60°C (32 to 140°F)



**Thermal Effects:**  $\pm$ 0.69% FSO, zero and span combined over compensated range

**Construction:** 2024-T351 aluminum

**Overload to Stops:**  
 $\leq$ 25 lb: 500% of capacity  
 $>$ 25 lb: 300% of capacity

**Ultimate Overload:** 800% of capacity

**Electrical:** 1.2 m (4') 4-conductor shielded PVC cable

**Protection Class:** IP65

### To Order

CAPACITY		MODEL NO.	COMPATIBLE METERS*
5 lb	2.3 kgf	LC509-005	DP41-B, DP41-S, DP25B-S
10 lb	4.5 kgf	LC509-010	DP41-B, DP41-S, DP25B-S
15 lb	6.8 kgf	LC509-015	DP41-B, DP41-S, DP25B-S
25 lb	11 kgf	LC509-025	DP41-B, DP41-S, DP25B-S
50 lb	23 kgf	LC509-050	DP41-B, DP41-S, DP25B-S
100 lb	45 kgf	LC509-100	DP41-B, DP41-S, DP25B-S

\* Visit us online for compatible meters.

**Ordering Example:** LC509-005, 5 lb capacity load cell with 7.75 lb offset and 0.5 to 9.5 Vdc output with 1.2 m (4') of cable.