

# LOW PROFILE BENDING BEAM LOAD CELLS



## LCDA Series 0-25 lb to 0-500 lb Capacity

LCDA Series  
**\$305**  
All Models



- ✓ Provides Maximum Protection Against Adverse Loads
- ✓ Sealed for Washdown Areas
- ✓ 0.25% Interchangeability
- ✓ Calibration Certificate Provided
- ✓ Exact Full Scale Output Stated for Easy Setup

The model LCDA is a versatile bending beam load cell for tension and compression loading. Compact and low in profile, the LCDA is ruggedly constructed of high-quality alloy steel to provide maximum durability in industrial applications. Each unit is nickel plated for corrosion resistance and sealed to resist moisture.

### SPECIFICATIONS

- Rated Output:** 3 mV/V  $\pm$ 0.0075 mV/V (actual output supplied with each load cell)
- Excitation:** 10 Vdc (15 Vdc maximum)
- Calibration:** In compression
- Full Scale Linearity:** 0.03% FS
- Hysteresis:** 0.02% FS
- Repeatability:** 0.01% FS
- Zero Balance:** 1% FS
- Creep in 20 min:** 0.03% FS
- Operating Temperature:** 0 to 150°F (-18 to 66°C)
- Compensated Temperature:** 0 to 150°F (-18 to 66°C)
- Thermal Effects:**
  - Zero: 0.0015% FS/°F
  - Span: 0.0008% RDG/°F

**Maximum Load:** 150% FS

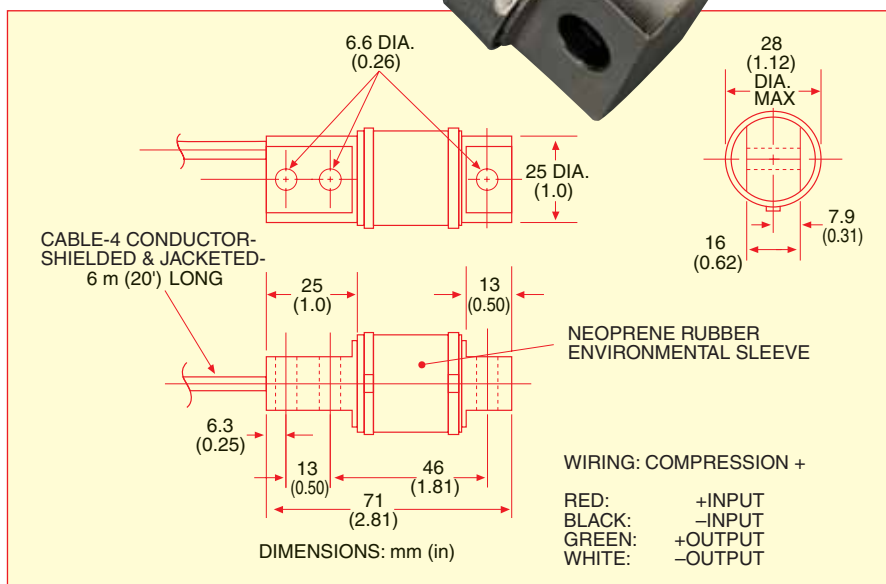
**Bridge Resistance:** 350  $\Omega$  nominal

**Construction:** Nickel-plated steel, neoprene boot with SS clamps

**Cable:** 6 m (20') 4-conductor shielded 22-gage wire



LCDA-75, \$305, shown larger than actual size.



**MOST POPULAR MODELS HIGHLIGHTED!**

### To Order (Specify Model Number)

MODEL NO.	PRICE	RATED CAPACITY	DEFL.	COMPATIBLE METERS*
LCDA-25	\$305	25 lb	0.008	DP3002-S, DP87, DP41-S, DP25-S
LCDA-50	305	50 lb	0.008	DP3002-S, DP87, DP41-S, DP25-S
LCDA-75	305	75 lb	0.010	DP3002-S, DP87, DP41-S, DP25-S
LCDA-100	305	100 lb	0.010	DP3002-S, DP87, DP41-S, DP25-S
LCDA-150	305	150 lb	0.012	DP3002-S, DP87, DP41-S, DP25-S
LCDA-250	305	250 lb	0.016	DP3002-S, DP87, DP41-S, DP25-S
LCDA-500	305	500 lb	0.023	DP3002-S, DP87, DP41-S, DP25-S

\* See section D for compatible meters.

Ordering Example: LCDA-100, low-profile bending beam load cell with a capacity of 100 lb, \$305.

### ACCESSORY

MODEL NO.	PRICE	DESCRIPTION
GE-2473	\$110	Reference Book: Foundations of Food Preparation