

TENSION PLATES

FOR LCM402/LCM412 SERIES LOAD CELLS

17-4 PH STAINLESS STEEL

LCM412-TP Series

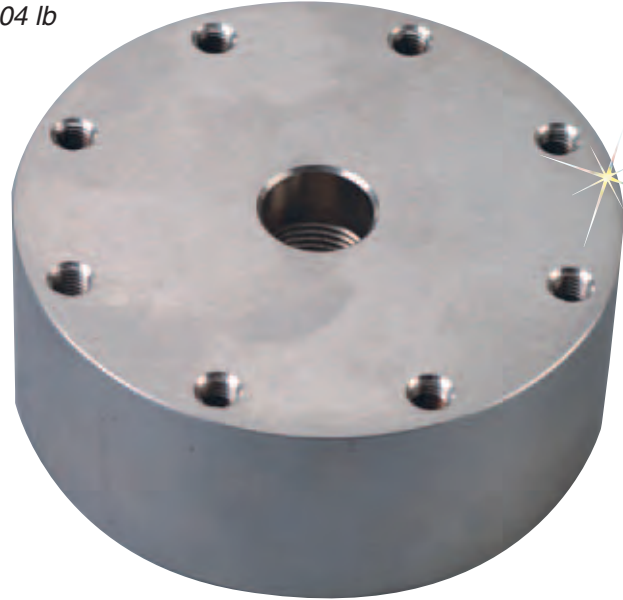
Tension Plates

For LCM402/LCM412 Load Cells

Ranges

25 kgf to 10,000 kgf

1 Newton = 0.2248 lb
 1 daNewton = 10 Newtons
 1 lb = 454 g
 1 t = 1000 kg = 2204 lb



LCM412-TP225, \$110, shown actual size.

Starts at
\$110

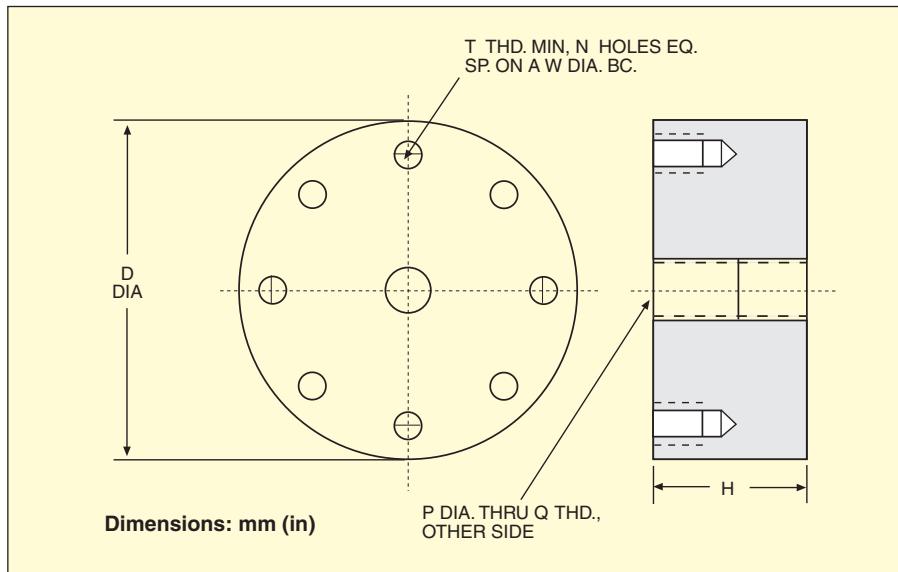


Mounting Hardware Included

LCM412 tension plates attach to the base of LCM402/LCM412 Series load cells and provide a second threaded center hole for tension applications.

The LCM412-TP288 tension plate attaches to the base of the LCM412-3K load cell (see diagram).

Recommended Reference Book:
 Measure for Measure,
OP-17, \$15
 See Section Y
 For Additional Books



MOST POPULAR MODELS HIGHLIGHTED!

CAPACITY		MODEL NO.	PRICE	Dimensions: mm (in)						
kgf	lb			D	H	P	Q	T	N	W
25 to 100	50 to 300	LCM412-TP225	\$110	76 (3.00)	38 (1.50)	8.4 (0.332)	M10 x 1.5	M6 x 1.0	8	57 (2.25)
250 to 1500	500 to 3K	LCM412-TP288	110	89 (3.50)	38 (1.50)	12 (0.453)	M12 x 1.75	M6 x 1.0	8	73 (2.88)
2500 to 5000	5K to 10K	LCM412-TP325	110	95 (3.75)	38 (1.50)	18 (0.688)	M20 x 1.5	M6 x 1.0	8	83 (3.26)
7500 to 10,000	15K to 25K	LCM412-TP350	250	102 (4.00)	51 (2.00)	24 (0.933)	M24 x 2.0	M10 x 1.5	8	89 (3.50)

Comes complete with mounting hardware.

Ordering Example: LCM412-TP350, fits LCM412 load cells from 7500 to 10,000 kgf, \$250.