

MINIATURE AC LVDT WITH GUIDED CORE



LD340 Series



- ✓ Rugged Construction
- ✓ Small Body Diameter, Only 9.52 mm (0.37")
- ✓ Good Measurement Range to Body Length Ratio
- ✓ High Performance
- ✓ Guide Core

The LD340 Series miniature AC LVDT is the ideal choice for applications requiring precision linear positioning measurement within a restricted space. They have a guided core and IP65 rated for use in harsh environments.

SPECIFICATIONS

Linearity: <0.25% FSO

Excitation Voltage: 1 to 10 Vrms

Current Draw at 5 kHz: <7 ma/V

Sensitivity at 5 kHz ±10% (mV/V/mm):

- ± 1.5 mm = 108
- ± 6 mm = 78
- ± 12.5 mm = 69

Storage Temp: -40 to 150°C (-40 to 302°F)

Operating Temp: -40 to 150°C (-40 to 302°F)

Temperature Coefficient: <0.05% FSO/°C (0.03%/°F)

Total Mechanical Travel:

- ± 1.5 mm = 3.6
- ± 6 mm = 15.2
- ± 12.5 mm = 29.8

Environmental Sealing: IP65

Cable: 3 m (10') FEP shielded cable

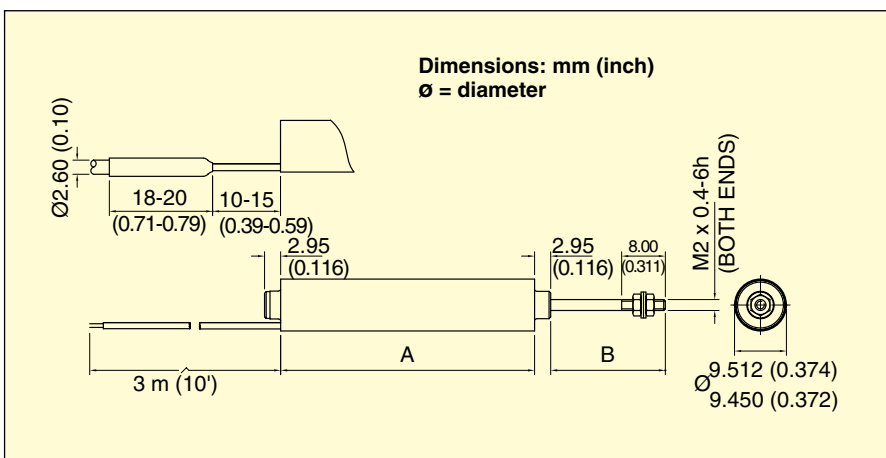
Case Material: 400 series stainless steel

Body Diameter: 9.52 mm (0.37")



LD340-12.5 shown actual size.

DISPLACEMENT



To Order

MODEL NO.	RANGE mm (inch)	A DIMENSION mm (inch)	B DIMENSION mm (inch)	COMPATIBLE SIGNAL CONDITIONERS
LD340-1.5	± 1.5 (0.06)	20.60 (0.811)	14.10 (0.555)	LDX-2, LDX-3A, LDX-4, LDX-D
LD340-6	± 6 (0.24)	46.50 (1.831)	21.00 (0.827)	LDX-2, LDX-3A, LDX-4, LDX-D
LD340-12.5	± 12.5 (0.49)	83.50 (3.287)	31.70 (1.248)	LDX-2, LDX-3A, LDX-4, LDX-D

Comes complete with operator's manual.

Ordering Examples: LD340-1.5, miniature AC LVDT with ± 1.5 mm (0.06") stroke.

LD340-6, miniature AC LVDT with ± 6 mm (0.24") stroke.