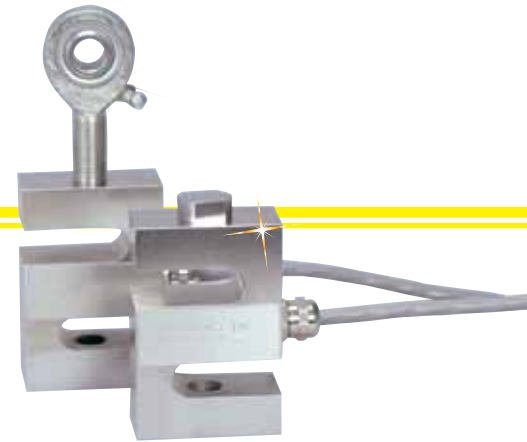


# OPTIONS AND ACCESSORIES

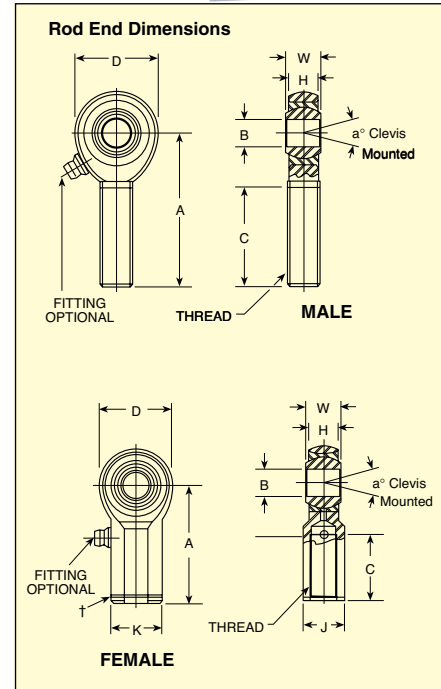
## LOAD BUTTONS AND ROD ENDS

### FOR METRIC LOAD CELLS

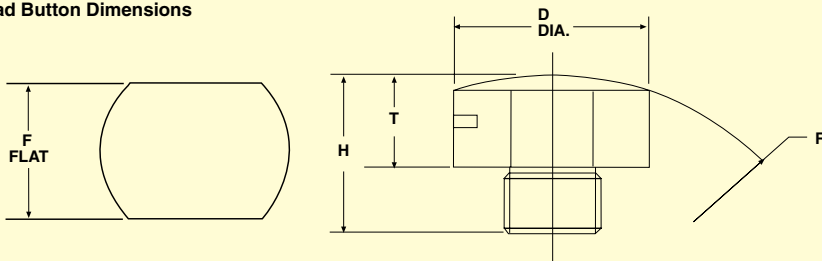


#### Load Buttons

Dimensions: mm (inch)						
MODEL NO.	THREAD	H	T	D	F	R
MLBC-M6	M6 x 1.0	12.7 (0.50)	5.1 (0.20)	15.2 (0.60)	12.7 (0.50)	50.8 (2.00)
MLBC-M8	M8 x 1.25	12.7 (0.50)	5.1 (0.20)	15.2 (0.60)	12.7 (0.50)	50.8 (2.00)
MLBC-M10	M10 x 1.5	15.2 (0.60)	7.6 (0.30)	19.1 (0.75)	15.9 (0.63)	50.8 (2.00)
MLBC-M12	M12 x 1.75	17.8 (0.70)	7.6 (0.30)	19.1 (0.75)	15.9 (0.63)	102 (4.02)
MLBC-M16	M16 x 2.0	22.9 (0.90)	7.6 (0.30)	38.1 (1.50)	31.8 (1.25)	127 (5.00)
MLBC-M20	M20 x 1.5	22.9 (0.90)	7.6 (0.30)	38.1 (1.50)	31.8 (1.25)	127 (5.00)
MLBC-M24	M24 x 2.0	27.9 (1.10)	7.6 (0.30)	38.1 (1.50)	31.8 (1.25)	203 (8.00)
MLBC-M36	M36 x 2.0	57.2 (2.25)	25.4 (1.00)	63.5 (2.50)	57.2 (2.25)	356 (14.02)



#### Load Button Dimensions



#### Load Cell Options (Limited Models Only)

##### Temperature Compensation:

"-TC1" Extended Compensated Range (-46 to 93°C/-50 to 200°F) not exceeding operating range

"-TC2" 163°C (350°F)

##### Additional Cable Length:

4-conductor PVC  
4-conductor PTFE  
6-conductor PVC  
6-conductor PTFE

##### Mating Connectors:

PT06F10-6S  
PT06A10-6S (SR)

##### Calibration/Recalibration:

"-NC5" 5-point calibration 0%, 50%, 100%, 50%, 0% Extra calibration points

##### Built-In Amplifiers:

0 to 5 Vdc  
4 to 20 mA

##### In-Line Amplifiers:

Consult Engineering

Consult sales for price and availability.

#### Rod Ends

Dimensions: mm (inch)											
MALE ROD ENDS	THREAD SIZE	B	W	H	A	D	C	a°	K	J	STATIC LOAD (lb)
MREC-M5M	M5 x 0.8	5 (0.197)	8 (0.315)	6.25 (0.246)	33 (1.300)	16 (0.630)	20 (0.787)	14	—	—	12,611
MREC-M6M	M6 x 1.0	6 (0.236)	9 (0.354)	7 (0.275)	36 (1.417)	19 (0.748)	22 (0.866)	13	—	—	17,720
MREC-M8M	M8 x 1.25	8 (0.315)	12 (0.472)	8.75 (0.344)	42 (1.653)	22.25 (0.876)	25 (0.984)	18	—	—	33,135
MREC-M10M	M10 x 1.5	10 (0.394)	14 (0.551)	10.5 (0.413)	48 (1.990)	27 (1.063)	29 (1.142)	17	—	—	50,227
MREC-M12M	M12 x 1.75	12 (0.472)	16 (0.630)	12 (0.472)	54 (2.126)	30 (1.181)	33 (1.300)	17	—	—	44,490
MREC-M16M	M16 x 2.0	16 (0.630)	21 (0.826)	14.25 (0.561)	66 (2.598)	38 (1.496)	40 (1.575)	23	—	—	76,291
MREC-M20M	M20 x 1.5	20 (0.787)	25 (0.984)	18 (0.709)	78 (3.071)	46 (1.811)	47 (1.850)	20	—	—	120,212
MREC-M24M	M24 x 2.0	25 (0.984)	31 (1.220)	22 (0.866)	95 (3.740)	60 (2.362)	57 (2.244)	19	—	—	251,780
FEMALE ROD ENDS											
MREC-M5F	M5 x 0.8	5 (0.197)	8 (0.315)	6.25 (0.246)	27 (1.063)	16 (0.630)	14 (0.551)	14	11	9	16,396
MREC-M6F	M6 x 1.0	6 (0.236)	9 (0.354)	7 (0.275)	30 (1.181)	19 (0.748)	14 (0.551)	13	13	11	25,781
MREC-M10F	M10 x 1.5	10 (0.394)	14 (0.551)	10.5 (0.413)	43 (1.693)	27 (1.063)	21 (0.827)	17	19	17	50,227
MREC-M12F	M12 x 1.75	12 (0.472)	16 (0.630)	12 (0.472)	50 (1.968)	30 (1.181)	24 (0.945)	17	22	19	44,490
MREC-M20F	M20 x 1.5	20 (0.787)	25 (0.984)	18 (0.709)	77 (3.031)	46 (1.811)	40 (1.575)	20	34	30	120,212