

# KARMA STRAIN GAGE

## LINEAR PATTERN STRAIN GAGES

- ✓ K-Series, Transducer-Quality
- ✓ Stock Delivery with Solder Pads

The linear pattern strain gages are used to measure strain in a single direction. The strain gage pattern is shown on the left side of the table. Notice the "arrow" which indicates the principal stress direction.

The linear pattern strain gages are available in a variety of styles and sizes. TRODEKS® offers miniature linear patterns for strain measurement of a

- ✓ Good Linearity Over Wide Temperature Range -75 to 200°C (-100 to 392°F)

stress concentration or high gradient areas. The terminations are offered both at one end of the grid, or with one at each end of the grid. Wide or narrow linear grid patterns are available.

To determine if the strain gages have temperature characteristics matched to steel or aluminum, see the column labeled "COMP" short for compensation, "ST" indicates steel, "AL" indicates

- ✓ Good Fatigue Life
- ✓ Custom Gages Available

aluminum. See the column labeled "BTP" for accessory bondable terminal pad model numbers.

Dimensions are listed for pattern gage grid length (A) and width (B), and the matrix or carrier length (C) and width (D). The patterns include alignment triangles and letter codes indicating creep code.



### To Order

GAGE PATTERN Shown actual size Leads not shown	MODEL NO. Pkg of 5	NOM. RESIS-TANCE (Ω)	DIMENSIONS mm (inch)†				MAX V* (Vrms)	TERMINATION	TEMP COMP	TERM PAD
			GRID		CARRIER					
			A	B	C	D				
5.5 mm 	SGK-L1D-K350P-PC11-E	350	1.5 (0.059)	2.5 (0.098)	5.5 (0.22)	4 (0.16)	6.5	Solder Pads	ST	BPT-1
	SGK-L1D-K350P-PC23-E	350	Miniature linear pattern, measurement of stress concentration 350 Ω				9	Solder Pads	AL	
6 mm 	SGK-L1E-K350T-PC11-E	350	1.51 (0.059)	4.5 (0.177)	6 (0.24)	6 (0.24)	8.5	Solder Pads	ST	BPT-1
	SGK-L1E-K350T-PC23-E	350	Miniature linear pattern, measurement of stress concentration 350 Ω				12.5	Solder Pads	AL	
7.5 mm 	SGK-L3A-K350U-PC11-E	350	3.2 (0.126)	3.2 (0.126)	7.5 (0.3)	4.6 (0.18)	10.5	Solder Pads	ST	BPT-2
	SGK-L3A-K350U-PC23-E	350	Small linear pattern, lead/pads at one end of grid 350 Ω				14.5	Solder Pads	AL	
7.2 mm 	SGK-L3B-K350S-PC11-E	350	3.2 (0.126)	2.5 (0.098)	7.2 (0.28)	4 (0.16)	9	Solder Pads	ST	BPT-2
	SGK-L3B-K350S-PC23-E	350	Small linear pattern, lead/pads at one end of grid 350 Ω				13	Solder Pads	AL	

### DISCOUNT SCHEDULE

1 to 10 pkgs. . . . .	Net
11 to 24 pkgs. . . . .	5%
25 to 49 pkgs. . . . .	10%
50 and up and OEM . . .	Consult Factory

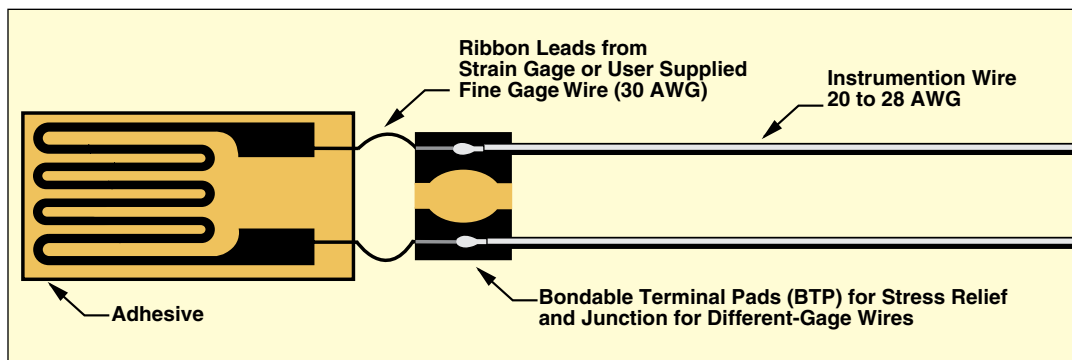
\* Maximum permitted bridge energizing voltage (Vrms).

Note: For strain gage accessories, visit us online.

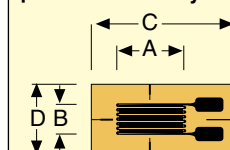
Ordering Example: SGK-L3A-K350U-PC11-E, package of 5, linear pattern strain gages with copper plated solder pads, nominal resistance 350 Ω.

**NOTE**  
ST = Steel  
AL = Aluminum

### TYPICAL STRAIN GAGE INSTALLATION



### † Dimensions Key:



**GRID**  
A: Active gage length  
B: Active gage width  
**CARRIER**  
C: Matrix length  
D: Matrix width

# KARMA STRAIN GAGE

## LINEAR PATTERN STRAIN GAGES



### To Order

GAGE PATTERN Shown actual size Leads not shown	MODEL NO. Pkg of 5	NOM. RESIS- TANCE (Ω)	DIMENSIONS mm (inch) <sup>†</sup>				MAX V* (Vrms)	TERMINATION	TEMP COMP	TERM PAD
			GRID		CARRIER					
			A	B	C	D				
8.3 mm 	SGK-L3C-K350T-PC11-E	350	3.2 (0.126)	3.1 (0.122)	8.3 (0.33)	4.6 (0.18)	10.5	Solder Pads	ST	BPT-3
	SGK-L3C-K350T-PC23-E	350	Linear pattern, medium size, lead/pad at each side of grid 350 Ω				14.5	Solder Pads	AL	
8.5 mm 	SGK-L3D-K350P-PC11-E	350	2.8 (0.110)	2.1 (0.083)	8.5 (0.34)	3.5 (0.14)	8	Solder Pads	ST	BPT-3
	SGK-L3D-K350P-PC23-E	350	Linear pattern, medium size, lead/pad at each side of grid 350 Ω				12	Solder Pads	AL	
7 mm 	SGK-L3E-K350W-PC11-E	350	3.2 (0.126)	1.5 (0.059)	7 (0.28)	3 (0.12)	7.5	Solder Pads	ST	BPT-3
	SGK-L3E-K350W-PC23-E	350	Linear pattern, medium size, grid width narrow 350 Ω				10.5	Solder Pads	AL	
11 mm 	SGK-L6A-K350U-PC11-E	350	6.3 (0.248)	3.2 (0.126)	11 (0.43)	4.7 (0.18)	15	Solder Pads	ST	BPT-4
	SGK-L6A-K350U-PC23-E	350	Linear pattern, large size 350 Ω				20	Solder Pads	AL	
11 mm 	SGK-L6A-K1000U-PC11-E	1000	6.3 (0.248)	3.2 (0.126)	11 (0.43)	4.7 (0.18)	25	Solder Pads	ST	BPT-4
	SGK-L6A-K1000U-PC23-E	1000	Linear pattern, large size, higher resistance, reduced heat generation 1000 Ω				35	Solder Pads	AL	
11.3 mm 	SGK-L6B-K350U-PC11-E	350	6.3 (0.248)	4.4 (0.173)	11.3 (0.44)	6 (0.24)	17	Solder Pads	ST	BPT-4
	SGK-L6B-K350U-PC23-E	350	Linear pattern, large size 350 Ω				24	Solder Pads	AL	
11.3 mm 	SGK-L6B-K1000U-PC11-E	1000	6.3 (0.248)	4.4 (0.173)	11.3 (0.44)	6 (0.24)	28	Solder Pads	ST	BPT-4
	SGK-L6B-K1000U-PC23-E	1000	Linear pattern, large size, higher resistance, reduced heat generation 1000 Ω				28	Solder Pads	AL	

### DISCOUNT SCHEDULE

1 to 10 pkgs. . . . . Net  
 11 to 24 pkgs. . . . . 5%  
 25 to 49 pkgs. . . . . 10%  
 50 and up and OEM . . . Consult Factory

\* Maximum permitted bridge energizing voltage (Vrms).

Note: For strain gage accessories, visit us online.

Ordering Example: SGK-L6B-K1000U-PC11-E, package of 5 linear pattern strain gages with copper plated solder pads, temperature characteristics matched to steel, nominal resistance 1000 Ω.

**NOTE**  
 ST = Steel  
 AL = Aluminum

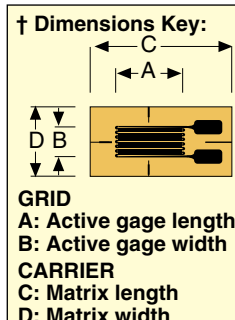
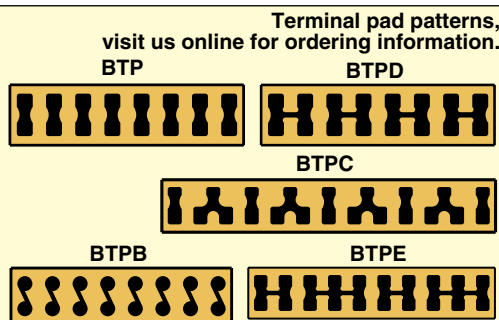
### BONDABLE TERMINAL PADS

When installing strain gages with ribbon leads or Solder Pads, use Bondable Terminal Pads (BTP) between the strain gage and the wires to your instrumentation.

The Bondable Terminal Pads provide a large easy to use soldering area and provide strain relief between the strain gage and the heavy instrument wires.

Using Bondable Terminal Pads is simple. Use the same adhesive and bonding procedure on the Bondable Terminal Pads as you use on the strain gage.

TRODEKS offers BTPs in several sizes and wiring configurations to fit most all strain gage applications.



STRAIN GAGES E