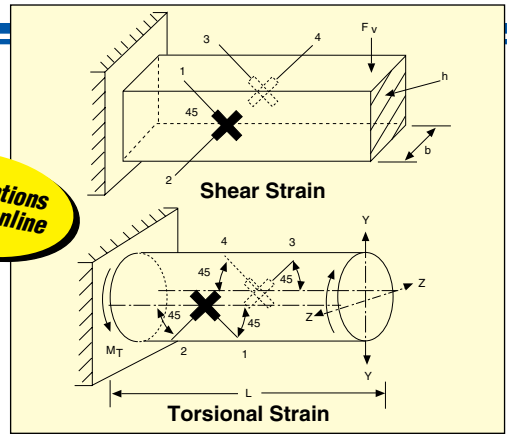


KARMA STRAIN GAGES

SHEAR AND TORQUE PATTERN GAGES

- ✓ **K-Series, Transducer Quality**
- ✓ **Available as Single ¼ Bridge, Single ¼ Matched Reversed Pattern, ½ Bridge with Separate Leads/ Tabs, or ½ Bridge with Common Lead/Tab**
- ✓ **Custom Gages Available—Fast Delivery**

For Equations
Visit us online



TRODEKS® offers K-Series strain gages for shear and torsional strain applications. These strain gages can be used in transducer design for shear beam load cells. They can also be used for reaction torque on a shaft. Single strain gages are available, SGK-SS3A-K350U-**** and matched, but with opposite grid angle is the SGK-SS3B-K350U-****. The SGK-SD3A-K350U-**** and the SGK-SD3B-K350U-**** have 2 shear strain gages, with opposite grid angles, on one carrier, with separate leads/tabs (electrically independent). The SGK-SDH3B-K350U-**** has 2 shear strain gages, with opposite grid angles with a common lead/tab.

To Order

GAGE PATTERN Shown actual size Leads not shown	MODEL NO. Pkg of 5	NOM. RESISTANCE (Ω)	DIMENSIONS mm (inch)†				MAX V* (Vrms)	TERMINATION	TEMP COMP
			GRID		CARRIER				
			A	B	C	D			
	SGK-SS3A-K350U-PC11-E	350	3.2 (0.126)	3.38 (0.133)	9.2 (0.36)	4.7 (0.19)	11	Solder Pads	ST
	SGK-SS3A-K350U-PC23-E	350	Single shear gage 350Ω				15	Solder Pads	AL
	SGK-SS3B-K350U-PC11-E	350	3.2 (0.126)	3.38 (0.133)	9.2 (0.36)	4.7 (0.19)	11	Solder Pads	ST
	SGK-SS3B-K350U-PC23-E	350	Single shear gage with opposite grid angle 350Ω				15	Solder Pads	AL
	SGK-SD3A-K350U-PC11-E	350	3.2 (0.126)	3.38 (0.133)	9.8 (0.39)	8.5 (0.33)	11	Solder Pads	ST
	SGK-SD3A-K350U-PC23-E	350	Shear torque, 2 gages on one carrier 350Ω				15	Solder Pads	AL
	SGK-SD3B-K350U-PC11-E	350	3.2 (0.126)	3.38 (0.133)	10.2 (0.4)	9.4 (0.37)	11	Solder Pads	ST
	SGK-SD3B-K350U-PC23-E	350	Shear torque, 2 gages on one carrier 350Ω				15	Solder Pads	AL
	SGK-SDH3B-K350U-PC11-E	1000	3.2 (0.126)	3.38 (0.133)	10.2 (0.4)	9.4 (0.37)	11	Solder Pads	ST
	SGK-SDH3B-K350U-PC23-E	1000	Shear half bridge with common lead/pad 350Ω				15	Solder Pads	AL

* Maximum permitted bridge energizing voltage (Vrms). **** PC11 or PC23.

Note: For strain gage accessories visit us online.

Ordering Example: SGK-SD3B-K350U-PC23-E, package of 5, Karma K-Series shear/torque pattern, with copper plated solder pads, half-bridge with 2 shear strain gages, with opposite grid angles on one carrier, electrically independent, nominal resistance 350 Ω.

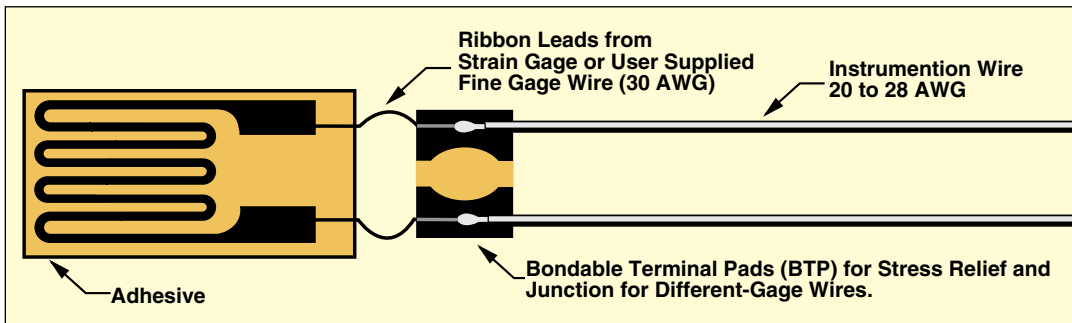
DISCOUNT SCHEDULE

1 to 10 pkgs.	Net
11 to 24 pkgs.	5%
25 to 49 pkgs.	10%
50 and up and OEM . .	Consult Factory

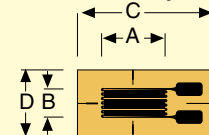
NOTE

ST = Steel
AL = Aluminum

TYPICAL STRAIN GAGE INSTALLATION



† Dimensions Key:



GRID
A: Active gage length
B: Active gage width
CARRIER
C: Matrix length
D: Matrix width

STRAIN GAGES E