

RUGGED CLEAN WATER IMMERSION HEATER—2 NPT BRASS FITTING

ARMT-2 Series



- ✓ Ideal For Clean Liquids within pH 6 to pH 8 Range
- ✓ Quality Construction with Copper Sheath
- ✓ Models Available with 120V, 208V, 240V, or 480V, 1 Phase Power
- ✓ Integral Thermostat

The TRODEXLUX® ARMT-2 Series clean water immersion heater feature 2 NPT brass fitting screw plug for direct heating of the process fluid in your tank or vessel. Tested design characteristics assure years of dependable performance.

Note: The integral thermostat functions as a temperature control only. This is not a fail safe device. An approved pressure or temperature control should be used with these heaters to assure safe operation. See the Temperature Section for our full selection of control devices.

CAUTION AND WARNING!

Fire and electrical shock may result if products are used improperly or installed or used by non-qualified personnel. See inside back cover for additional warning.

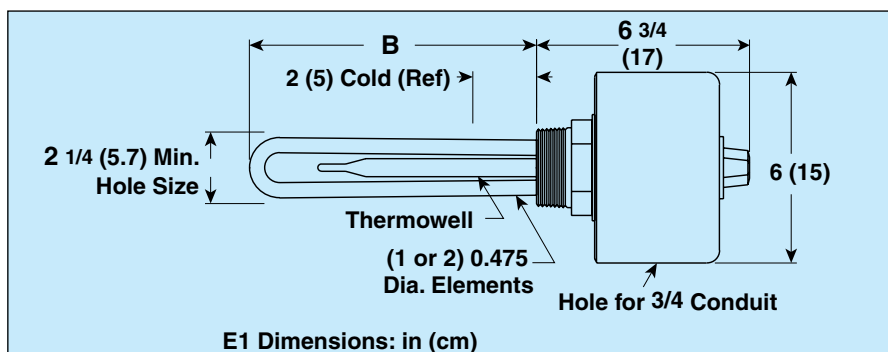


ARMT-2155/240 shown smaller than actual size.

SPECIFICATIONS

Wattage: 1.5 to 15 kW
Power: 120, 208, 240, 490 Vac, 1 phase power
Sheath: 0.475" (1 cm) diameter copper
Screw Plug: 2 NPT brass
Thermostat: Bulb and capillary type, 2 temperature ranges, 60 to 250°F, 0 to 100°F

Watt Density: 46 to 53 W/in²
Enclosure: General Purpose NEMA-1 rated; or optional type E2 moisture tight/explosion resistant enclosure
 Meets Class I: Groups C & D, Div. 1 & 2
 Class II: Groups E, F, & G, Div. 1 & 2
 Class III: Div. 1 & 2



To Order

kW	No. Phase	Dim. B W/in ²	Elem.	in (cm)	T-2 Temp Range (60 to 250°F)	Wt. lb (kg)	T-1 Temp Range (0 to 100°F)	Wt. lb (kg)
					Model No.		Model No.	
1.5	1	48	1	12 (30)	ARMT-2155/*	5 (2)	ARMT-2155T1/*	5 (2)
2	1	51	2	8 (20)	ARMT-2205-3/**	5 (2)	ARMT-2205-3T1/**	5 (2)
2.5	1	48	2	9½ (20)	ARMT-2255/***	6 (3)	ARMT-2255T1/***	6 (3)
3	1	48	2	12 (30)	ARMT-2305/**	6 (3)	ARMT-2305T1/**	6 (3)
4	1	48	2	18 (46)	ARMT-2405/***	7 (3)	ARMT-2405T1/***	7 (3)
5	1	53	2	19¾ (39)	ARMT-2505/***	8 (4)	ARMT-2505T1/***	8 (4)
6	1	47	2	25½ (64)	ARMT-2605/***	8 (4)	ARMT-2605T1/***	8 (4)
7	1	49	2	28 (71)	ARMT-2705/***	9 (4)	ARMT-2705T1/***	9 (4)
10	1	46	2	40½ (103)	ARMT-2105/***	9 (4)	ARMT-2105T1/***	9 (4)
12	1	46	2	48 (122)	ARMT-2125/240	10 (5)	ARMT-2125T1/240	10 (5)
12	1	46	2	48 (122)	ARMT-2125/480	10 (5)	ARMT-2125T1/240	10 (5)
15	1	50	2	54 (137)	ARMT-21505/240	11 (5)	ARMT-21505T1/240	11 (5)

* Designate voltage: 120, 208, or 240 Vac. /** Designate voltage: 120, 208, 240, or 480 Vac. /*** Designate voltage: 208, 240, or 480 Vac. To order the unit with the optional E2 enclosure, insert "E2" into the model number as shown, ARMT-2255E2T1/240 for an additional cost. E2 enclosure not intended for use in hazardous areas.

Ordering Examples: ARMT-2255/480, 2.5 kW heater, powered by 480 Vac.
 ARMT-21505T1/240, 15 kW heater, powered by 240 Vac.

