

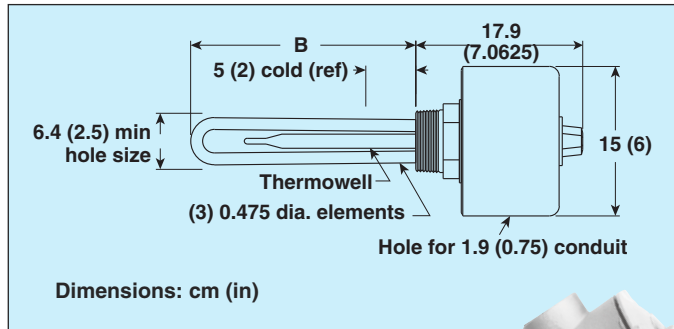
SOLUTION WATER IMMERSION HEATERS—2.5 NPT FITTING

ARMTI-3305/240, \$1300, shown smaller than actual size.

ARMTI-3 Series Starts at
\$1300



- ✓ Thermostat for Reliable Operation
- ✓ Incoloy® Sheath for Compatibility with Most Industrial Fluids
- ✓ 240 and 480V Models with 3 Phase Power
- ✓ 3 to 18 kW
- ✓ 46 to 51 W/in²



ARMTI-3605E2/480, \$1700, shown smaller than actual size.

SPECIFICATIONS

Wattage: 3 to 18 kW
Power: 240 or 480 V—3 phase
Sheath: 3 cm (0.475") diameter Incoloy
Screw Plug: 2½ NPT stainless steel
Thermostat: Bulb and capillary
Enclosure: General Purpose, NEMA 1 rated, or type E2 moisture resistant/explosion resistant² enclosure

Note: The integral thermostat functions as a temperature control only. This is not a fail safe device. An approved pressure or temperature control should be used with these heaters to assure safe operation. See Section P for our selection of control devices.

CAUTION AND WARNING!

Fire and electrical shock may result if products are used improperly or installed or used by non-qualified personnel. See inside back cover for additional warnings.

¹ Heaters with General Purpose Enclosures are UL Listed and CSA Certified.
² Heaters with Moisture Resistant/Explosion Resistant Enclosures are CSA NRTL/C Certified and not intended for use in hazardous areas.

MOST POPULAR MODELS HIGHLIGHTED!

To Order (Specify Model Number)

kW	Phase	W/in ²	No. Htg. Elem.	Dim. B cm (in)	Temp Range (60 to 250°F)		Wt. kg (lb)	T-1 Temp Range (0 to 100°F)		Wt. kg (lb)
					Model No.	Price		Model No.	Price	
ARMTI-3 Series with General Purpose Terminal Enclosure¹										
3	3	51	3	17 (7)	ARMTI-3305/*	\$1300	4 (8)	ARMTI-3305T1/*	\$1300	4 (8)
4.5	3	48	3	30 (11)	ARMTI-3455/*	1372	4 (8)	ARMTI-3455T1/*	1372	4 (8)
6	3	48	3	44 (17%)	ARMTI-3605/*	1700	4 (9)	ARMTI-3605T1/*	1700	4 (9)
7.5	3	53	3	48 (19)	ARMTI-3755/*	1525	5 (10)	ARMTI-3755T1/*	1525	5 (10)
9	3	47	3	62 (24%)	ARMTI-3905/*	1600	5 (10)	ARMTI-3905T1/*	1600	5 (10)
12	3	46	3	64 (32¼)	ARMTI-3120/*	1750	5 (11)	ARMTI-3120T1/*	1750	5 (11)
15	3	46	3	101 (39%)	ARMTI-3150/*	1900	5 (12)	ARMTI-3150T1/240	1900	5 (12)
18	3	51	3	120 (47%)	ARMTI-3180/*	2050	6 (13)	ARMTI-3180T1/240	2050	6 (13)
ARMTI-3 Series with Type E2 Moisture Resistant/Explosion Resistant Enclosure²										
3	3	51	3	17 (7)	ARMTI-3305E2/*	\$1550	6 (13)	ARMTI-3305E2T1/*	\$1550	6 (13)
4.5	3	48	3	30 (11)	ARMTI-3455E2/*	1600	6 (13)	ARMTI-3455E2T1/*	1600	6 (13)
6	3	48	3	44 (17%)	ARMTI-3605E2/*	1700	6 (14)	ARMTI-3605E2T1/*	1700	6 (14)
7.5	3	53	3	48 (19)	ARMTI-3755E2/*	1750	7 (15)	ARMTI-3755E2T1/*	1750	7 (15)
9	3	47	3	62 (24%)	ARMTI-3905E2/*	1850	7 (15)	ARMTI-3905E2T1/*	1850	7 (15)
12	3	46	3	82 (32¼)	ARMTI-3120E2/*	2000	7 (16)	ARMTI-3120E2T1/*	2000	7 (16)
15	3	46	3	101 (39%)	ARMTI-3150E2/*	2150	8 (17)	ARMTI-3150E2T1/*	2150	8 (17)
18	3	51	3	20 (47%)	ARMTI-3180E2/*	2300	8 (18)	ARMTI-3180E2T1/*	2300	8 (18)

/* Insert "240" for 240 Vac or "480" for 480 Vac. * Not intended for use in hazardous areas.

Ordering Examples: ARMTI-3305/240, 3 kW, 3-phase heater with thermostat range of 60 to 250°F, powered by 240 Vac, \$1300.

ARMTI-3120/120V, 12 kW, 3-phase heater with thermostat range of 60 to 250°F, \$1750.