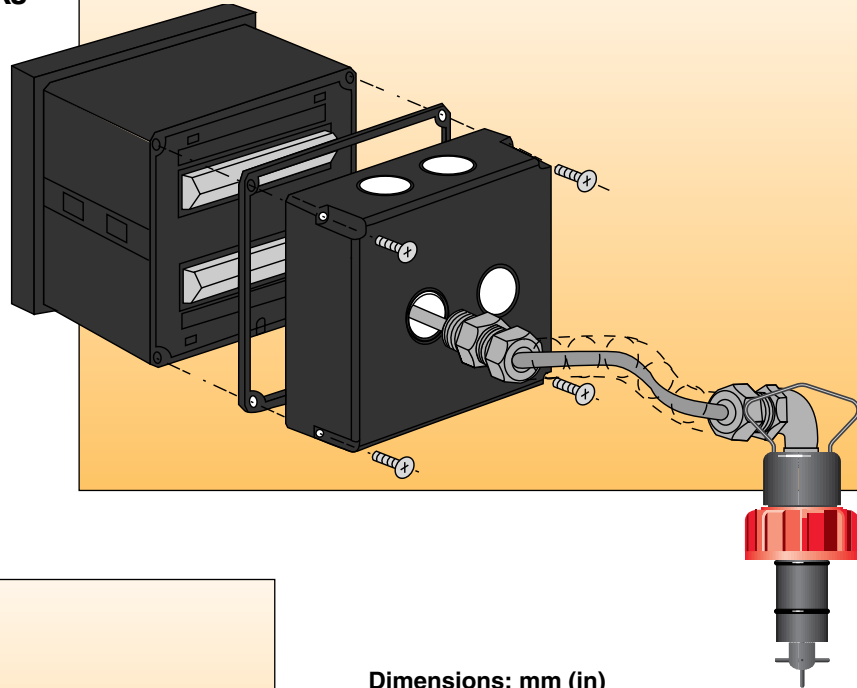


# ACCESSORY FITTINGS FOR INDICATORS

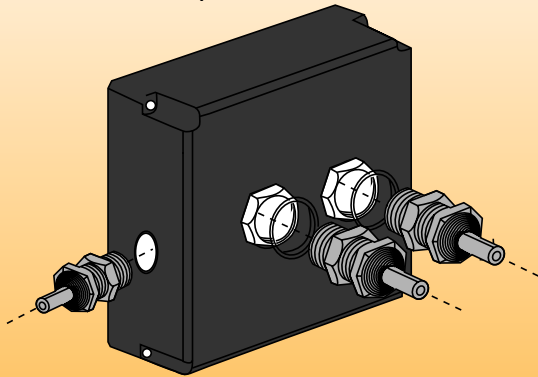
These Accessories Work With the Following TRODEKS® 5000 Series Indicators:

- 1) FPM-5500
- 2) FPM-5800
- 3) PHCN-5700
- 4) CDCN-5800
- 5) FP90-XP
- 6) PHTX-271-XP
- 7) CDTX-90-XP

FPM-5000-SCAK Sensor Conduit Adaptor Kit

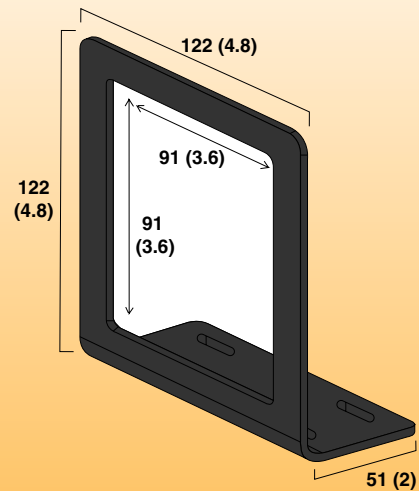


FPM-5000-LTCK Liquid Tight Connector Kit (Cover not included)



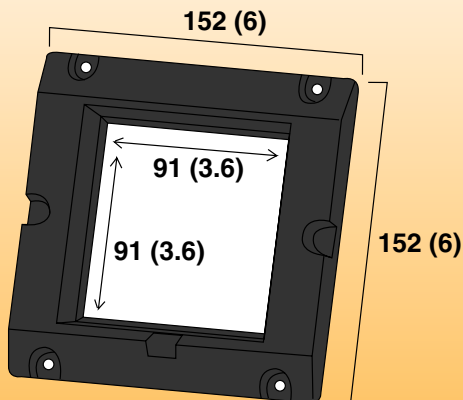
Dimensions: mm (in)

FPM-5000-MB Mounting Bracket



Dimensions: mm (in)

FPM-5000-RAK Retrofit Adaptor Kit



## To Order

Model No.	Description
FPM-5000-SCAK	Sensor conduit adaptor kit
FPM-5000-LTCK	Liquid tight connector kit
FPM-5000-RAK	Retrofit adaptor kit
FPM-5000-MB	Mounting bracket
FP90-4X	NEMA 4X (IP66) rear cover kit

Ordering Example: FPM-5000-SCAK, sensor conduit adaptor kit.