

SPECIALTY QUICK COUPLINGS

MULTITUBE QUICK COUPLING

Connect 1 to 10 Tubes in One Easy Motion

FT-T Series



By P/N

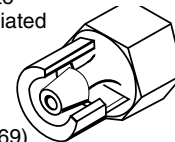
- ✓ **Fast Hook-Up**—1 to 10 lines in Seconds, Even $\frac{1}{16}$ " Lines
- ✓ **Dependable**—For Vacuum or Pressure
- ✓ **Lightweight**—Adapts Easily to Any Application
- ✓ **Versatile**—Ideal for Panel Mounting or In Line Connections
- ✓ **Long Life**—Replaceable Inserts and Seals Cut Costs
- ✓ **Mix Tubing Sizes**—Fit Specific Applications Requiring $\frac{1}{16}$, $\frac{1}{8}$ " and 3, 4 mm ID Tubing



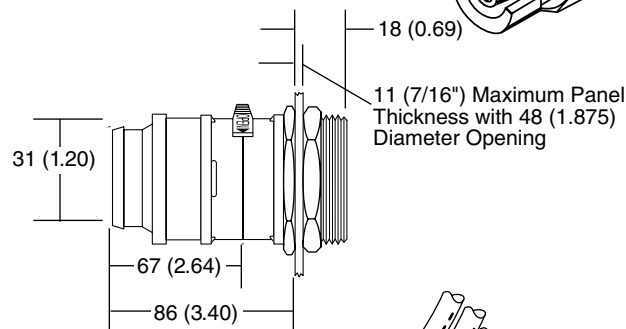
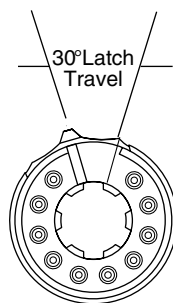
The Multitube Quick Coupling is the most reliable, easy operating multiple tube connection available for plastic tubing. Pneumatic control systems designers appreciate the Multitube advantages and features. The rugged thermoplastic design utilizes the toughness of engineering plastics and provides economy and other user requested features.

Tube fitting insert

TRODEKS's exclusive Multitube Includes the $\frac{1}{16}$ " ID shrouded tube fitting to eliminate fitting breakage associated with miniature tube fittings. Patented.



Positive latch connection. Slide the latch 30° for a positive no leak seal. Distinct click assures coupling is locked. Connect or disconnect in one simple motion.



Optional tubing shroud is ideal for in line applications

Optional tubing jacket protects tubing

Straight thru or single side shutoff capability

Replaceable inserts

Keyed to provide non-interchangeable hook-up

Individual O-Ring seal connections assure leak-free vacuum or pressure connections

Thermoplastic materials provide exceptional chemical resistance

Multitube panel mount adaptor fits through a 48 (1.875") diameter hole

Patented.

Ordering Information: Each coupling body includes ten inserts of one tube size. Purchase inserts of different sizes for replacements of original tube fittings or to mix tube sizes in the coupling. Coupling body does not include optional tubing shroud or panel mount adaptor. Specify separately depending on coupling configuration; i.e. panel mount coupling requires 1 tubing shroud, 1 panel mount adaptor. Tube-to-tube coupling assemblies require 2 tubing shrouds.

Note: Connectors supplied with one size tube fitting unless specified otherwise.

SPECIFICATIONS

Working Pressure: Vacuum to 100 psi (6.9 bar) per line

Operating Temperature:

Delrin®/Celcon® Acetal Fitting Inserts:

-40 to 82°C (-40 to 180°F) continuous

Polypropylene Fitting Inserts:

0 to 82°C (32 to 180°F) continuous

Materials:

Fitting Inserts: Delrin/Celcon Acetal or Polypropylene

Valves: Polypropylene

Valve Springs: 316 Stainless Steel

Seals: Buna with Delrin/Celcon Acetal EPR with Polypropylene

Body/Color: Nylon/Black

Panel Mount Adapter: Delrin/Celcon Acetal

Tube Shroud: Delrin/Celcon Acetal

Tubing Sizes: 1/16" and 1/8" ID

1/4" OD Poly, 6 x 4 mm Nylon, and 3 mm ID Nylon



Multitube multiple tube quick couplings increase serviceability for pneumatic controls.

Multitube

To Order				
<p>COMPLETE COUPLING BODY</p>		Complete Coupling Set		
Tubing Size ID	Metric EQ mm ID	Delrin®/Celcon® Acetal Straight Thru Model No.	Delrin®/Celcon® Acetal Shutoff Model No.	Polypropylene Straight Thru Model No.
1/16"	—	FT-TT10-01	FT-TTD10-01	FT-TT10-01-12
—	3	FT-TT10-M3	FT-TTD10-M3	—
1/8"	4	FT-TT10-02	FT-TTD10-02	FT-TT10-02-12
<p>COMPLETE COUPLING INSERT</p>		Complete Coupling Body		
1/16"	—	FT-TFB10-01	FT-TFBD10-01	FT-TFB10-01-12
—	3	FT-TFB10-M3	FT-TFBD10-M3	—
1/8"	4	FT-TFB10-02	FT-TFBD10-02	FT-TFB10-02-12
Body without Inserts		FT-TFB10	—	—
<p>COMPLETE COUPLING INSERT</p>		Complete Coupling Insert		
1/16"	—	FT-TMB10-01	—	FT-TMB10-01-12
—	3	FT-TMB10-M3	—	—
1/8"	4	FT-TMB10-02	—	FT-TMB10-02-12
Body without Inserts		FT-TMB10	—	—
<p>FITTING BODIES</p>		Fitting Inserts		
1/16"	—	FT-TMF-01	—	FT-TMF-01-12
—	3	FT-TMF-M3	—	—
1/8"	4	FT-TMF-02	—	FT-TMF-02-12
<p>FITTING BODIES</p>		Fitting Bodies		
1/16"	—	FT-TFF-01	FT-TFFD-01	FT-TFF-01-12
—	3	FT-TFF-M3	FT-TFFD-M3	—
1/8"	4	FT-TFF-02	FT-TFFD-02	FT-TFF-02-12
Accessories				
Description				Model No.
Tube Shroud snaps into either half				FT-TS-10
Panel Mount Adaptor includes nut 7/16" maximum panel thickness requires 1.875" Diameter hole				FT-TPM-10
Tube Jacketing black, 40 foot coils standard				FT-TJ-10
Cable tie				FT-CT-10
<p>TUBE FITTING BODY WITH SHUTOFF</p> <p>Dimensions: mm (inch)</p>				

Ordering Example: FT-TT10-01-12, polypropylene coupling set, FT-TS-10, tube shroud.