

HIGH-ACCURACY MINIATURE UNIVERSAL LOAD CELLS 51 mm (2") DIAMETER, DUAL STUD MOUNT STYLE **STANDARD** AND **METRIC** MODELS

**Tension/Compression
Calibrated in Tension
0-25 lb to 0-10,000 lb
0-11 kgf to 0-4537 kgf**

1 Newton = 0.2248 lb
1 daNewton = 10 Newtons
1 lb = 454 g
1 t = 1000 kgf = 2204 lb

LC203/LCM203 Series LC213/LCM213 Series



- ✓ 1.0% Interchangeability for Scale Applications
- ✓ Hermetically Sealed
- ✓ Miniature Package for Test Stands and Difficult Locations
- ✓ Heavy-Duty Construction
- ✓ 5-Point Calibration

TRODEX's LC203/LCM203 Series comprises high-accuracy, miniature, low-profile industrial load cells that come with a stud at each end for easy in-line mounting. The tough, corrosion-resistant steel construction and high-accuracy strain gages make them suitable for most industrial weighing applications.

SPECIFICATIONS

Excitation: 10 Vdc, 15 Vdc maximum

Output: 2 mV/V ±1.0%

5-Point Calibration (in Tension):

0%, 50%, 100%, 50%, 0%

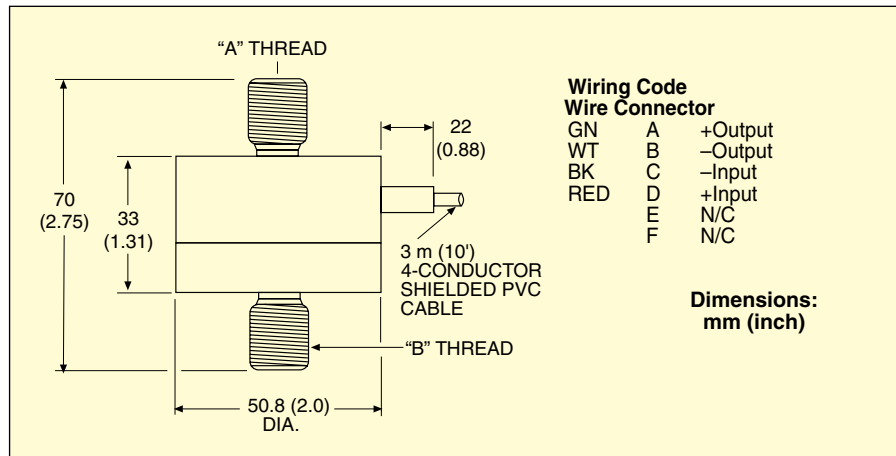
Linearity: ±0.15% FSO

Hysteresis: ±0.1% FSO

Repeatability: ±0.05% FSO

Zero Balance: ±2% FSO

Deflection: 0.025 to 0.075 mm
(0.001 to 0.003")



Dimensions: mm (inch)

MODEL	A THREAD	B THREAD
LC203	½-20 UNF	½-20 UNF
LCM203	M12 x 1.75	M12 x 1.75
Thread Length	19 (0.75)	17 (0.69)

Protection Class: IP65

Operating Temp Range:
-46 to 107°C (-50 to 225°F)

Compensated Temp Range:
16 to 71°C (60 to 160°F)

Thermal Effects:

Zero: 0.006% FSO/°C

Span: 0.009% FSO/°C

Safe Overload: 150% of capacity

Ultimate Overload: 300% of capacity

Input Resistance: 350 Ω minimum

Output Resistance: 350 ±10 Ω

Construction: Stainless steel

Electrical: 3 m (10') 4-conductor
PVC shielded cable

LC213/LCM213 Mating Connector:
PT06F10-6S (sold separately)

HIGH-ACCURACY MINIATURE UNIVERSAL LOAD CELLS

51 mm (2") DIAMETER, DUAL STUD MOUNT STYLE

STANDARD
LC203-100



METRIC
LCM213-2KN



All models shown slightly smaller than actual size.

METRIC
LCM203-100

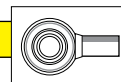


STANDARD MODELS

To Order				
CAPACITY		MODEL NO.		COMPATIBLE METERS**
lb	kgf	CABLE	CONNECTOR	
25	11	LC203-25	LC213-25	DPiS, DP41-S, DP25B-S
50	23	LC203-50	LC213-50	DPiS, DP41-S, DP25B-S
100	45	LC203-100	LC213-100	DPiS, DP41-S, DP25B-S
200	91	LC203-200	LC213-200	DPiS, DP41-S, DP25B-S
300	136	LC203-300	LC213-300	DPiS, DP41-S, DP25B-S
500	227	LC203-500	LC213-500	DPiS, DP41-S, DP25B-S
1000	455	LC203-1K	LC213-1K	DPiS, DP41-S, DP25B-S
2000	909	LC203-2K	LC213-2K	DPiS, DP41-S, DP25B-S
2500	1134	LC203-2.5K	LC213-2.5K	DPiS, DP41-S, DP25B-S
5000	2269	LC203-5K	LC213-5K	DPiS, DP41-S, DP25B-S
8000	3630	LC203-8K	LC213-8K	DPiS, DP41-S, DP25B-S
10,000	4537	LC203-10K	LC213-10K	DPiS, DP41-S, DP25B-S

ACCESSORIES

MODEL NO.	DESCRIPTION
REC-012F	Rod end for LC203/LC213
PT06F10-6S	Mating connector for LC213 series load cells
CA-4PC24-2-015	Cable assembly with twist-lock connector for LC213 series load cells



Comes complete with 5-point NIST-traceable calibration and 59 kΩ shunt data.

** Visit us online for compatible meters. DPiS meter suitable for one direction measurement only.

Ordering Examples: LC203-500, 500 lb capacity cable style, dual stud mount load cell.

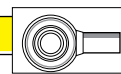
LC213-2K, 2000 lb capacity connector style, dual stud mount load cell, PT06F10-6S, mating connector.

METRIC MODELS

To Order				
CAPACITY		MODEL NO.		COMPATIBLE METERS**
N	lb	CABLE	CONNECTOR	
100	22	LCM203-100N	LCM213-100N	DPiS, DP41-S, DP25B-S
200	45	LCM203-200N	LCM213-200N	DPiS, DP41-S, DP25B-S
500	112	LCM203-500N	LCM213-500N	DPiS, DP41-S, DP25B-S
1000	225	LCM203-1KN	LCM213-1KN	DPiS, DP41-S, DP25B-S
2000	450	LCM203-2KN	LCM213-2KN	DPiS, DP41-S, DP25B-S
5000	1124	LCM203-5KN	LCM213-5KN	DPiS, DP41-S, DP25B-S
10,000	2248	LCM203-10KN	LCM213-10KN	DPiS, DP41-S, DP25B-S
20,000	4496	LCM203-20KN	LCM213-20KN	DPiS, DP41-S, DP25B-S*
50,000	11,241	LCM203-50KN	LCM213-50KN	DPiS, DP41-S, DP25B-S*

ACCESSORIES

MODEL NO.	DESCRIPTION
MREC-M12F	Rod end for LCM203/LCM213
PT06F10-6S	Mating connector for LCM213 series load cells
CA-4PC24-2-015	Cable assembly with twist-lock connector for LCM213 series load cells



Comes complete with 5-point NIST-traceable calibration and 59 kΩ shunt data.

* 4-digit meters. ** Visit us online for compatible meters.

Ordering Examples: LCM203-500N, 500 Newton capacity dual stud-mount load cell.

MREC-M12F, accessory rod end.