

# 5 Vdc OUTPUT LONG STROKE DISPLACEMENT TRANSDUCERS

## LD620 Series

- ✓ Less Than 0.2% Linearity
- ✓ 5 to 300 mm Travel Lengths Available
- ✓ Rugged 19 mm Dia. Stainless Steel Body
- ✓ Rigid Stainless Steel Carriers
- ✓ Guided Core with Removable Spring
- ✓ IP67 Environmental Rating
- ✓ Large Bore-to-Core Clearance

The LD620 DC output displacement transducers have improved IP67-rated sealing, coupled with new polymer guides with rigid carriers. These transducers are accurate and reliable, especially in wet and corrosive conditions.

Output options are either  $\pm 5$  Vdc (LD620) or 0 to 10 Vdc (LD621). An unusually large bore-to-core clearance is maintained throughout the range. This makes installation easier and helps prevent misalignment.

### SPECIFICATIONS

**Linearity:** <0.2% FSO

**Excitation Voltage:** 10 to 30 Vdc @ 25 mA maximum

**Output:** LD620,  $\pm 5$  Vdc; LD621, 0 to 10 Vdc

**Output Ripple:** 0.02% FSO

**Bandwidth:** 500 Hz (-3 dB)

**Storage Temp:** -20 to 85°C (-4 to 185°F)

**Operating Temp:** 0 to 65°C (32 to 149°F)

**Sealing:** IP67

**Vibration (Sinusoidal Frequency):**

10 to 50 Hz: 1 to 10 g rms linear amplitude

50 Hz to 1 kHz: 10 g rms amplitude

**Shock:**

**Drop Testing:** 1 m (3') onto hard surface

**Topple Testing:** 10 times each end onto hard surface

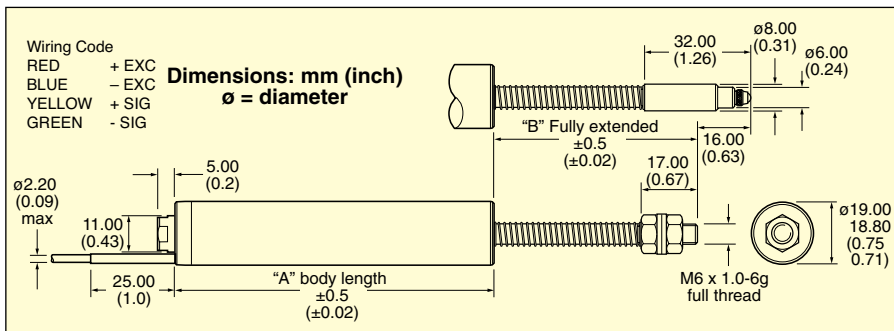
**Case Material:** 300 SS

**Cable:** PFA, 2 m (6') long

**Core Material:** Nickel-iron



LD620-25, shown smaller than actual size.



### To Order

MODEL NO. $\pm 5$ Vdc	RANGE mm (inch)	MODEL NO. 0 to 10 Vdc	RANGE mm (inch)	"A" DIM mm (inch)	"B" DIM mm (inch)
LD620-2.5	$\pm 2.5$ ( $\pm 0.1$ )	LD621-5	0 to 5 (0 to 0.2)	94.0 (3.7)	35.3 (1.4)
LD620-5	$\pm 5$ ( $\pm 0.2$ )	LD621-10	0 to 10 (0 to 0.4)	113.5 (4.5)	46.3 (1.8)
LD620-7.5	$\pm 7.5$ ( $\pm 0.3$ )	LD621-15	0 to 15 (0 to 0.6)	120.7 (4.8)	50.3 (2.0)
LD620-10	$\pm 10$ ( $\pm 0.4$ )	LD621-20	0 to 20 (0 to 0.8)	135.0 (5.3)	61.3 (2.4)
LD620-15	$\pm 15$ ( $\pm 0.6$ )	LD621-30	0 to 30 (0 to 1.2)	149.4 (5.9)	79.3 (3.1)
LD620-25	$\pm 25$ ( $\pm 1.0$ )	LD621-50	0 to 50 (0 to 2.0)	170.9 (6.7)	102.3 (4.0)
LD620-50	$\pm 50$ ( $\pm 2.0$ )	LD621-100	0 to 100 (0 to 3.9)	228.5 (9.0)	160.3 (6.3)
LD620-75	$\pm 75$ ( $\pm 3.0$ )	LD621-150	0 to 150 (0 to 5.9)	278.7 (11.0)	231.3 (9.1)
LD620-100	$\pm 100$ ( $\pm 3.9$ )	—	—	336.2 (13.2)	291.2 (11.5)
LD620-150	$\pm 150$ ( $\pm 5.9$ )	—	—	450.9 (17.8)	457.3 (18.0)
—	—	LD621-200	0 to 200 (7.9)	336.2 (13.2)	291.2 (11.5)
—	—	LD621-300	0 to 300 (11.8)	450.9 (17.8)	457.3 (18.0)

**Ordering Example:** LD620-2.5, DC displacement sensor with range of  $\pm 2.5$  mm ( $\pm 0.1$  in) with  $\pm 5$  Vdc output.

### ACCESSORIES

MODEL NO.	DESCRIPTION
LD-TIP	Tip adaptor/ball tip
LD-UJOINT-KIT	U-joint retro fit kit