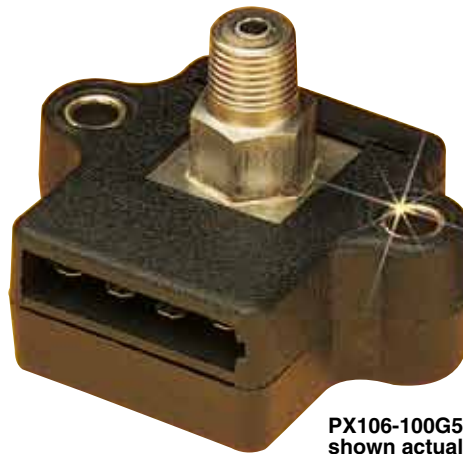


# FREQUENCY OUTPUT TYPE PRESSURE TRANSDUCERS USE ON TRANSMISSION LINES OR INTERFACING WITH MICROPROCESSORS

0-6 to 0-1000 psi  
0-0.4 to 0-69 bar

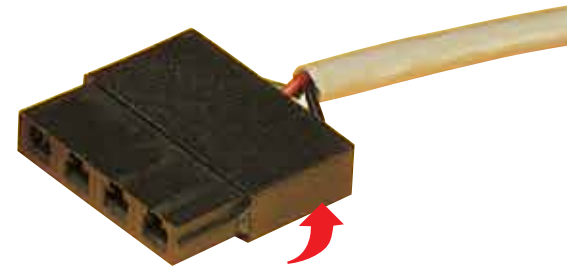
## PX106 Series

- ✓ 10 to 20 Vdc Excitation
- ✓ 0.5% Linearity
- ✓ -40 to 85°C (-40 to 185°F) Operation
- ✓ Valox® Outer Case
- ✓ Stainless Steel Chamber
- ✓ ±1% Full Scale Accuracy

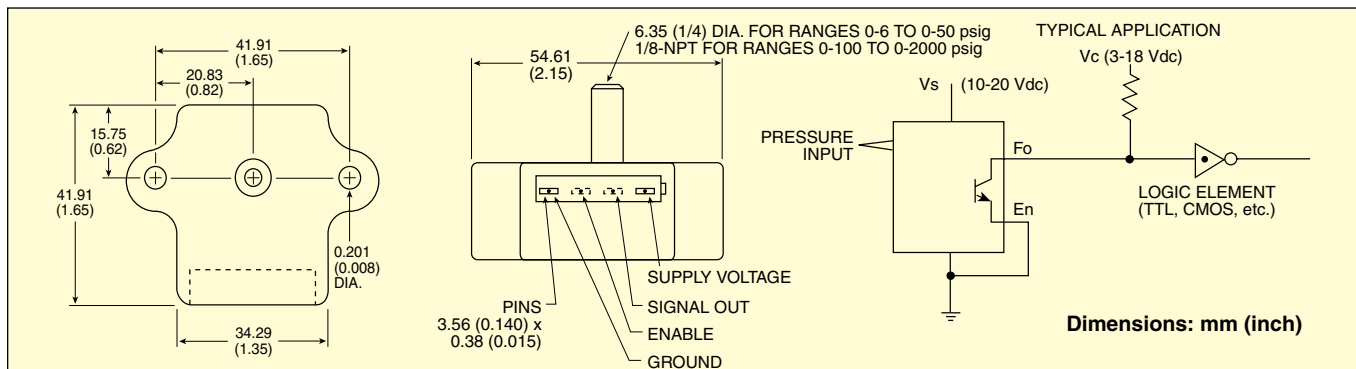


PX106-100G5F, shown actual size.

Metric thread adaptors available.



PX106-CONNECTOR, spare connector, included.



## SPECIFICATIONS

**Excitation:** 10 to 20 Vdc at 30 mA

**Output:** 1 to 6 kHz

**Accuracy:** ±1% full scale typical, ±2% full scale maximum

**Linearity:** <50 psi ±0.5%; ≥50 psi ±0.2% full scale

**Hysteresis:** ±0.25% full scale

**Zero Balance:** ±1% typical, ±2% maximum

**Compensated Temperature Range:** 0 to 85°C (32 to 185°F)

**Thermal Zero Effect:** ±0.02%/°C (±0.01% rdg/°F)

**Thermal Sensitivity Effect:** ±0.02%/°C (±0.01% rdg/°F)

**Proof Pressure:** 2x full scale

**Burst Pressure:** 5x full scale minimum

**Gages:** Piezoresistive on bending beam

**Diaphragm/Port Material:**

300 Series stainless steel (silver, copper, nickel, cadmium brazed)

**Electrical Connection:** CX-106-4

**Weight:** 114 g (4 oz)

**Media Compatibility:** Typical media include oil, gases, saline solutions, ammonia, freon, hydraulic fluids, alcohol, acids, and gasoline

## To Order

RANGE		MODEL NO.	COMPATIBLE METERS*
0 to 6 psig	0 to 0.41 bar	PX106-006G5F	DP2000-H9
0 to 50 psig	0 to 3.4 bar	PX106-050G5F	DP2000-H9
0 to 100 psig	0 to 6.9 bar	PX106-100G5F	DP2000-H8 or H9
0 to 300 psig	0 to 20.7 bar	PX106-300G5F	CONSULT SALES
0 to 500 psig	0 to 34.5 bar	PX106-500G5F	DP2000-H9
0 to 1000 psig	0 to 69 bar	PX106-1KG5F	DP2000-H8 or H9

Comes complete with operator's manual.

\* Visit us online for compatible meters.

**Ordering Example:** PX106-100G5F, 1 kHz output at 0 psi and 6 kHz output at 100 psi.

## ACCESSORY

MODEL NO.	DESCRIPTION
PX106-CONNECTOR	Spare connector