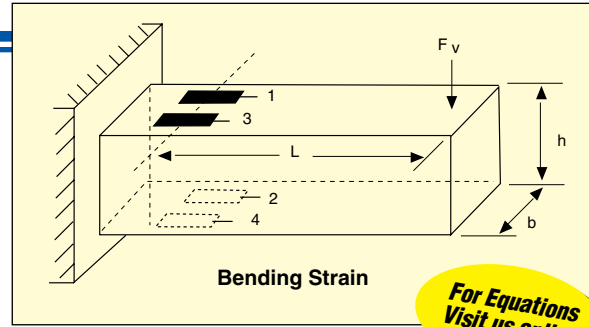


KARMA STRAIN GAGES

DUAL PARALLEL GRID STRAIN GAGES

- ✓ K-Series, Transducer-Quality
- ✓ Stock Delivery, Copper Plated Solder Pads
- ✓ Temperature Characteristics Matched to Steel or Aluminum
- ✓ Dual Parallel Grid for Bending Strain Applications
- ✓ Custom Gages Available—Fast Delivery

TRODEKS® offers K-Series dual linear strain gage patterns. These strain gages can be used for bending beam transducer designs where you have access to both sides of the beam. Each carrier has 2 separate parallel linear strain gages.



For Equations Visit us online

To Order

GAGE PATTERN Shown actual size Leads not shown	MODEL NO. Pkg of 5	NOM. RESISTANCE (Ω)	DIMENSIONS mm (inch)†				MAX V* (Vrms)	TERMINATION	TEMP COMP
			GRID		CARRIER				
			A	B	C	D			
6 mm 	SGK-D2A-K350Q-PC11-E	350	2.0 (0.079)	2.5 (0.098)	6.0 (0.24)	6.2 (0.24)	7.5	Solder Pads	ST
	SGK-D2A-K350Q-PC23-E	350	Small dual parallel grid for bending strain 350 Ω				10.5	Solder Pads	AL
7 mm 	SGK-D3A-K350U-PC11-E	350	3.2 (0.126)	1.6 (0.63)	7.0 (0.28)	5.2 (0.2)	7.5	Solder Pads	ST
	SGK-D3A-K350U-PC23-E	350	Medium, dual parallel grid pattern for bending strain 350 Ω				10.5	Solder Pads	AL
7.2 mm 	SGK-D3B-K350Q-PC11-E	350	3.2 (0.126)	2.5 (0.098)	7.2 (0.29)	7.2 (0.28)	9	Solder Pads	ST
	SGK-D3B-K350Q-PC23-E	350	Medium, dual parallel grid pattern for bending strain 350 Ω				13	Solder Pads	AL
10.6 mm 	SGK-D6A-K350S-PC11-E	350	6.3 (0.248)	2.5 (0.098)	10.6 (0.42)	7.0 (0.28)	14	Solder Pads	ST
	SGK-D6A-K350S-PC23-E	350	Large, dual parallel grid pattern for bending strain 350 Ω				19	Solder Pads	AL
10.6 mm 	SGK-D6A-K1000S-PC11-E	1000	6.3 (0.248)	2.5 (0.098)	10.6 (0.42)	7.0 (0.28)	22	Solder Pads	ST
	SGK-D6A-K1000S-PC23-E	1000	Large, dual parallel grid pattern for bending strain, higher resistance, reduced heat generation 1000 Ω				32	Solder Pads	AL

DISCOUNT SCHEDULE

1 to 10 pkgs. Net
 11 to 24 pkgs. 5%
 25 to 49 pkgs. 10%
 50 and up and OEM . . . Consult Factory

* Maximum permitted bridge energizing voltage (Vrms).

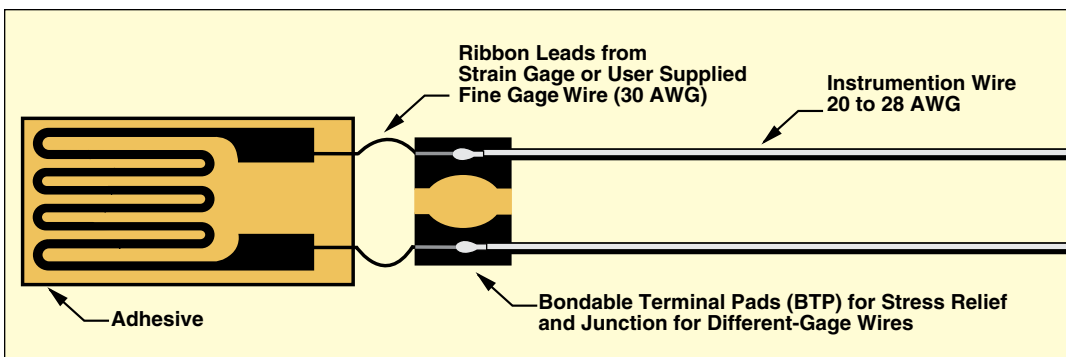
Note: For strain gage accessories visit us online.

Ordering Example: SGK-D3B-K350Q-PC11-E, package of 5, dual parallel grid for bending strain, with copper solder pads, nominal resistance 350 Ω.

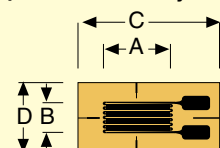
NOTE

ST = Steel
 AL = Aluminum

TYPICAL STRAIN GAGE INSTALLATION



† Dimensions Key:



GRID
 A: Active gage length
 B: Active gage width
 CARRIER
 C: Matrix length
 D: Matrix width

STRAIN GAGES E